



Tow-Trust Towbars

Important: Please read General Notes overleaf before fitting

Issue 5

TBM 907A VK BMW X5 E53 2001 - 2007

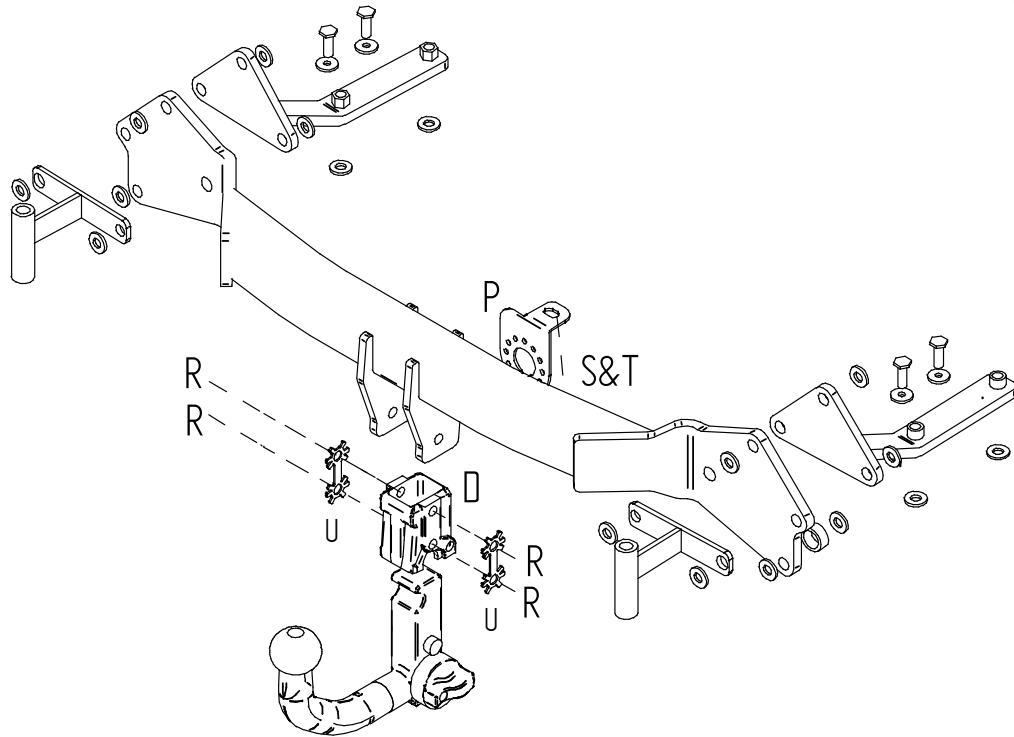
Item	Qty	Description	Item	Qty	Description
A	1	Crossmember	G	6	M12 x 70 Bolts Nuts & Washers
B	2	Side Arms	H	2	M12 x 50 Bolts, Nuts & Washers
C	2	Handed Bumper Brackets	J	4	M12 x 40 Grade 10.9 Bolts & Washers
D	1	Detachable Housing	K	4	M10 x 25 Bolts & Washers
E	2	Spacer Bushes	M	20	12 x 25 Flat Washers
			N	4	10 x 25 Flat Washers
			P	1	Socket Plate
			R	4	M12 x 25 Bolts Grade 12.9 & Washers
			S	1	M8 x 25 Bolt
			T	1	8 x 25 H/D Washer
			U	2	ACS Lock Washers

1. Remove the rear bumper (one existing torx head bolt each side, four fixings along the top edge and two fixings around each wheel arch.)
2. Remove the bolts from the rearmost exhaust hanger and temporarily lower the exhausts. Temporarily lower the heat shield.
3. Remove the panel from the boot floor, trays from each side and side panels.
4. Remove the three M8 nuts each side securing the bumper supports.
5. Remove the two plastic bungs in the lower face of each chassis member.
6. Locate item **B** into each chassis and loosely bolt using Item **J** with Item **M**.
7. Using Item **G** with Item **M** loosely bolt Item **A** through existing holes in the rear panel and also through each side arm.
8. Using the lower hole in Item **A** as a jig, drill 13mm holes through the rear panel.
9. Locate Item **E** between Item **A** and the rear panel and using Item **H** with Item **M** bolt into place.
10. From inside the boot locate the two captive nuts each side along each chassis member (these are covered with tape) secure using Item **K** with Item **N**.
11. Using Item **R** with Item **U** bolt Item **D** to Item **A**.
12. Remove the M8 bolt from the rite hand side of the Towing eyelet mount and Fit socket plate, using item **S** and item **T**.
13. Fully tighten all nuts and bolts and ensure the towbar is rigid and secure.
14. Refit exhaust hanger, heat shield and rear bumper.

Note: nose load limits and vehicle manufacturer's trailer / caravan weight limits must be observed.

Grade 10.9 Bolts 139 Nm

Grade 12.9 Bolts 145 Nm



TBM 907A VK

TBM 907A

