



# Tow-Trust Towbars

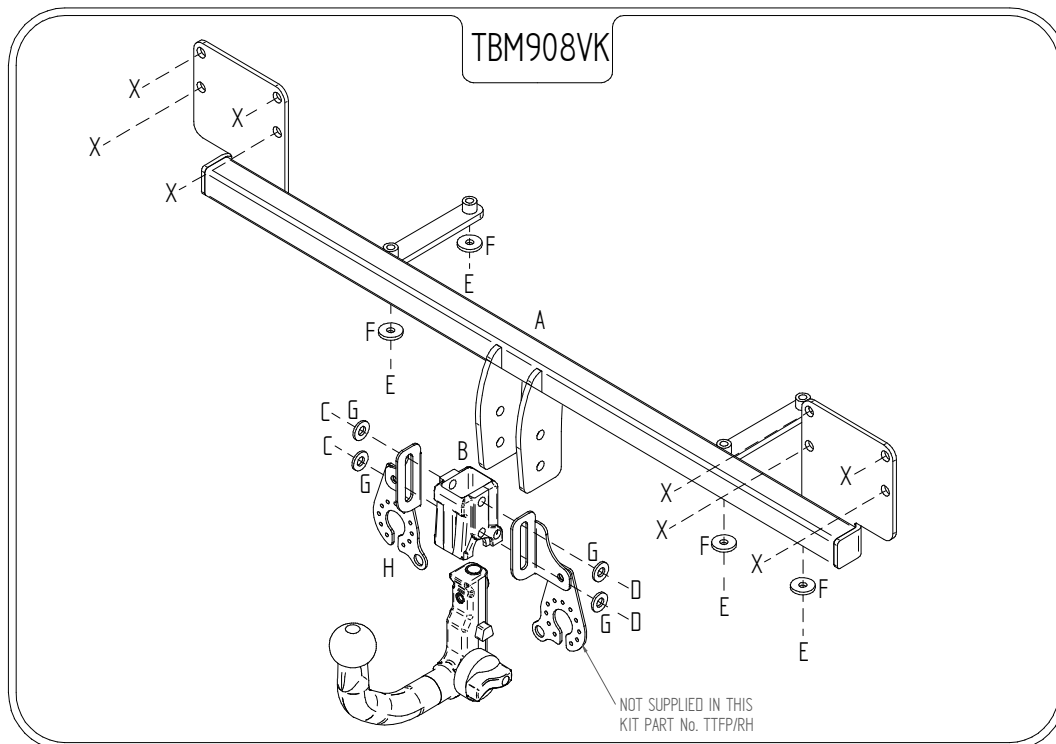
Important: Please read General Notes overleaf before fitting

Issue 1

## TBM 908VK MINI (BMW) 2001-2007

Item	Qty	Description	Item	Qty	Description
A	1	Crossmember	C	2	M12 x 25 Bolts & S/P Washers
B	1	Detachable Housing	D	2	M12 x 22 Bolts & S/P Washers
			E	4	M10 x 30 Bolts & S/P Washers
			F	4	10 x 25 Flat Washers
			G	4	12 x 25 Flat Washers
			H	1	Flip Up Socket Plate

1. Remove the rear bumper. Fixings securing mud flaps if fitted, one fixing behind wheel arch liner, two push fixings inside each wheel arch, fixings along lower edge (on some models this may be fixed to under tray) one fixing inside by light in bumper and two fixings on boot shut panel. Disconnect light in bumper.
2. Lower the exhaust with its hangers at the rearmost point and support to prevent damage and remove heat shield.
3. Remove the bumper impact beam and discard the steel back plate.
4. Locate all Towbar mounting points and remove any mastic from mating faces.
5. Position Item A into chassis openings and loosely bolt in place with Item E and Item F.
6. Using original fixings bolt the impact beam and Item A to the back panel.
7. If fitted cut the under tray to suit Towbar and flip up socket plate.
8. Using Item C with Item G and Item D with Item G bolt Items H and B to Item A.
9. Fully tighten all nuts and bolts and ensure Towbar is rigid and secure.
10. Refit heat shield and exhaust hangers.
11. Refit bumper.



### Note:

1. Recommended Torque Setting for M12 Grade 10.9 -139 Nm. (For other Torque Settings see notes overleaf.)
2. Nose load limits and vehicle manufacturers trailer / caravan weight limits must be observed.