



# Tow-Trust Towbars

Important: Please read General Notes overleaf before fitting

Issue 3

**TC647HK Citroen C4 Picasso 7 Seater 2006> 5 Seater 2007>  
PEUGEOT 5008 2010>**

Item	Qty	Description	Item	Qty	Description
A	1	Crossmember	E	3	M12 x 22 Bolts & S/P Washers
B	1	L/H Side Arm	F	1	M12 x 25 Bolts & S/P Washers
C	1	R/H Side Arm	G	6	M12 x 40 Bolts, Nuts & S/P Washers
D	1	Detachable Housing	H	4	M10 x 50 Grade 10.9 Bolts & S/P Washers
			J	4	M10 Nyloc Nuts
			K	4	10 x 25 Flat washers
			L	4	10 x 30 Flat Washers
			M	10	12 x 25 Flat Washers
			P	1	L/H Socket plate

**This towbar can be fitted without removing the bumper but the fitter may choose to do so.**

### 5 Seat version Bumper removal

1. Temporarily remove the black plastic from the side of each light cluster to expose the two T20 torx fixings either side. Pull light clusters rearward and disconnect each plug.
2. Locate torx fixing and M10 nut at the top of bumper and unscrew
3. Remove from the underside the four fixings either side securing the black plastic to the bumper.
4. Remove the three T30 torx fixings and one M8 plastic nut around each wheel arch. Top fixing is hidden where the bumper meets the rear wing.
5. Pull bumper outwards at each side until tabs are out.

### 7 Seat version Bumper removal

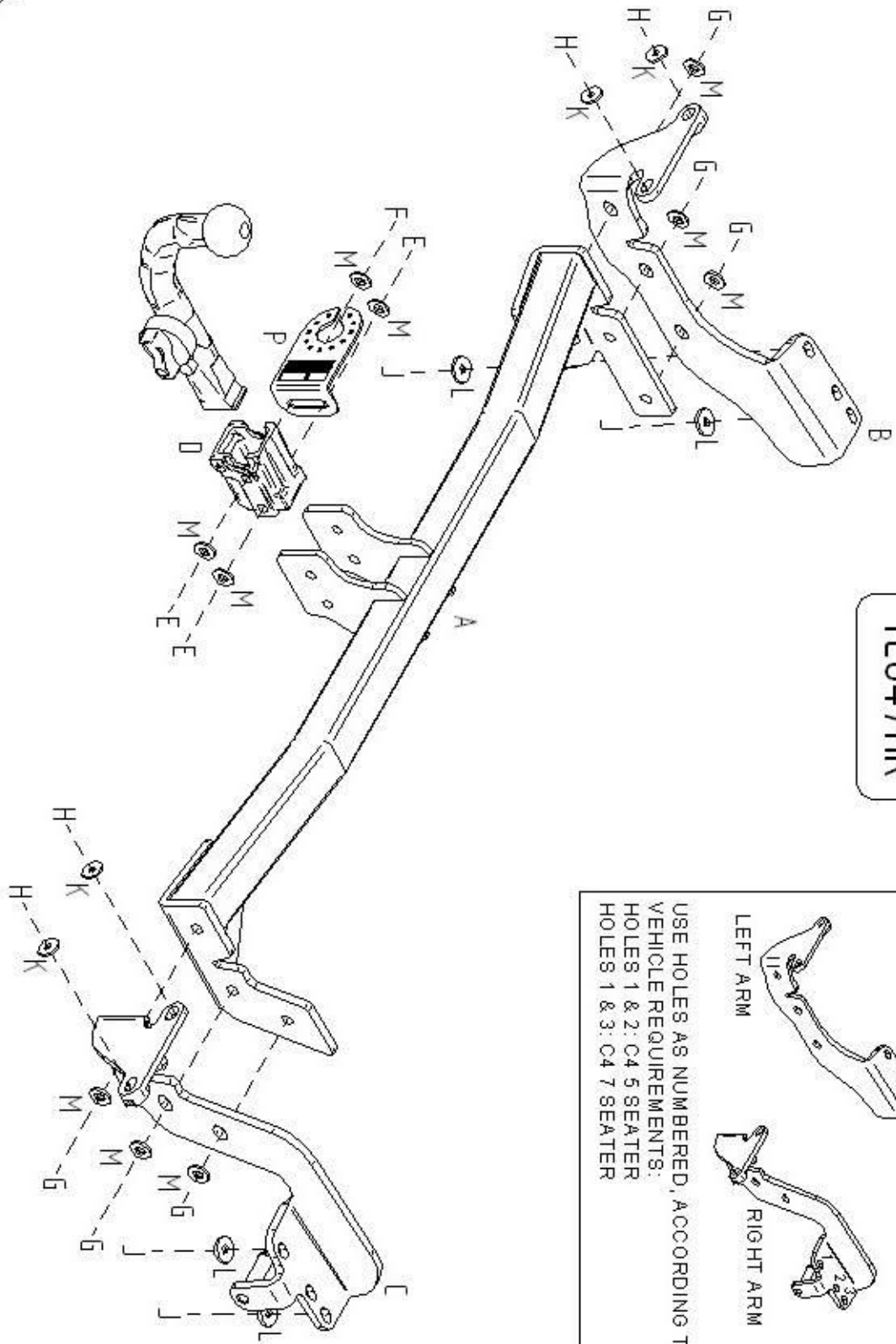
1. Remove light clusters. Three T20 torx fixings. Pull light rearward and disconnect plug. (This reveals two fixings under light.)
  2. Remove four fixings either side from bottom of bumper to release corner carpets.
  3. Remove remaining two torx fixings from bottom of bumper.
  4. Remove two torx fixings securing wheel arch carpet.
  5. Remove one torx fixing behind wheel arch.
  6. Remove remaining two top fixings.
  7. Pull bumper out sideways to release tabs.
- 
1. Remove the two bottom bolts each side securing bumper crash beam to rear panel.
  2. Remove exhaust rubber.
  3. Remove two M10 nuts either side from bottom face of chassis studs, removing black brackets. (Note: on 7 Seater exhaust hanger will not be refitted.)
  4. Using Item J (Nyloc Nuts) with Item L loosely bolt Items B and C to existing studs on chassis. (Note: on 7 Seater exhaust rubber is refitted to Item C.)
  5. Using Item H with Item K bolt Items B and C to the rear panel.
  6. Using Item G with Item M bolt Item A to Items B and C.
  7. Using Item F with Item M and item E with item M bolt Item D and Item P to Item A.
  8. Fully tighten all nuts and bolts and ensure the towbar is square, rigid and secure.
  9. Refit bumper using original fixings. Replace light clusters.

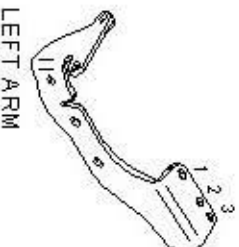
**Peugeot 5008: BUMPER CUT 80mm WIDE X 30mm DEEP**

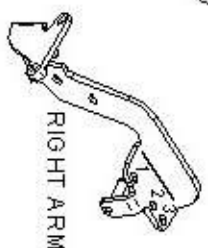
### **Note:**

1. Recommended Torque Setting for M12 Grade 10.9 -139 Nm. (For other Torque Settings see notes overleaf.)
2. Nose load limits and vehicle manufacturer's trailer / caravan weight limits must be observed.

# TC647HK




  
 LEFT ARM


  
 RIGHT ARM

USE HOLES AS NUMBERED, ACCORDING TO VEHICLE REQUIREMENTS:  
 HOLES 1 & 2: C4 5 SEATER  
 HOLES 1 & 3: C4 7 SEATER