



Tow-Trust Towbars

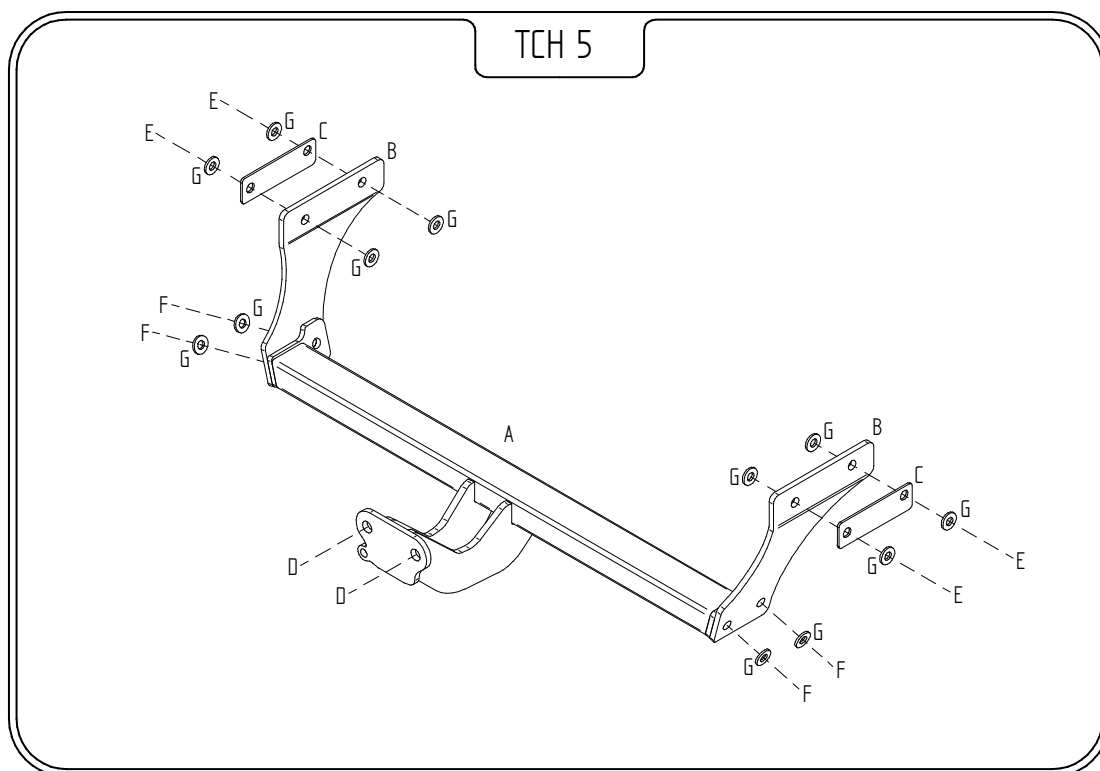
Important: Please read General Notes overleaf before fitting

Issue 1

TCH 5 DODGE CALIBER 2006>

Item	Qty	Description	Item	Qty	Description
A	1	Crossmember	D	2	M16 x 50 Bolts, Nuts & S/P Washers
B	2	Handed Side Arms	E	4	M12 x 120 Bolts, Nuts & S/P Washers
C	2	Clamp Plates	F	4	M12 x 35 Bolts, Nuts & S/P Washers
			G	12	12 x 25 Flat Washers

1. Using item **E** with item **G** bolt items **B** to each correct inside face of chassis members (note angle on items **B**) with item **C** on the outside face.
2. Using item **F** with item **G** loosely bolt item **A** to items **B**.
3. Using item **D** bolt the ball bracket and wiring plate (not supplied in this kit) to item **A**.
4. Fully tighten all nuts and bolts ensuring Towbar is rigid square and secure.



Note:

1. Recommended Torque Setting for M12 Grade 10.9 -139 Nm. (For other Torque Settings see notes overleaf.)
2. Nose load limits and vehicle manufacturer's trailer / caravan weight limits must be observed.