



# Tow-Trust Towbars

Important: Please read General Notes overleaf before fitting

Issue 4

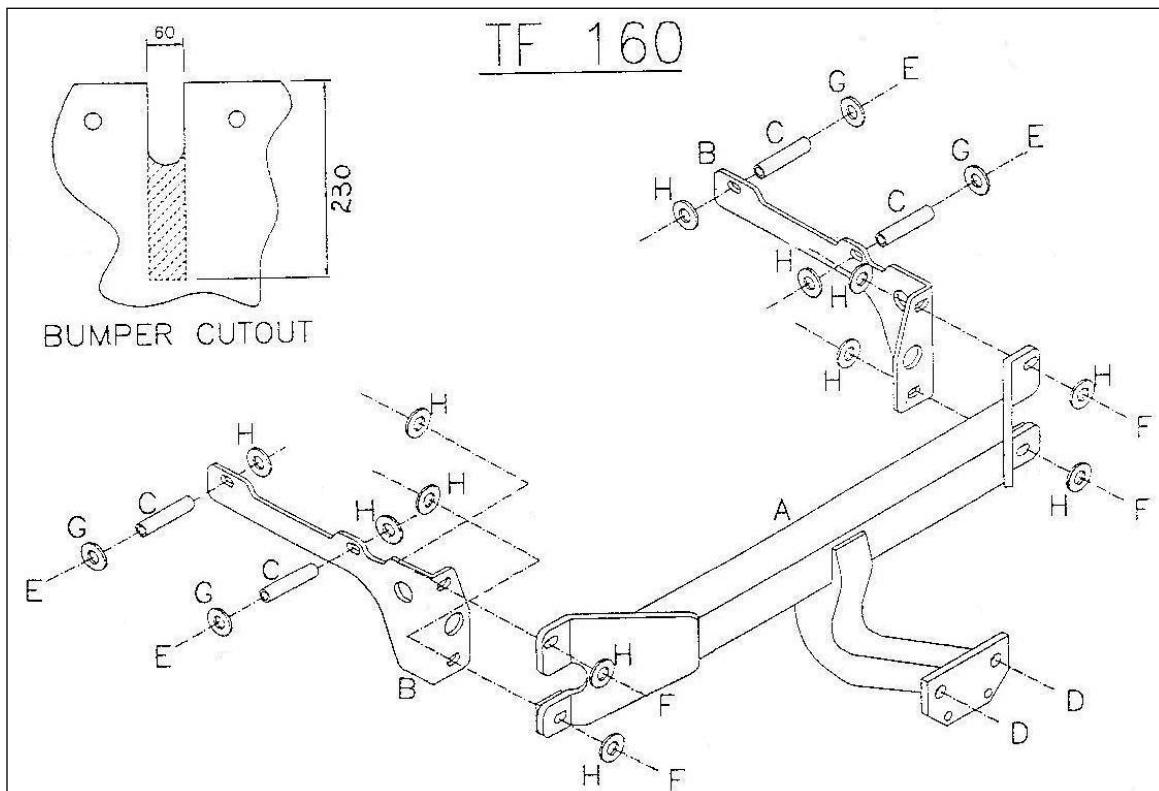
## TF160A Ford Mondeo Saloon / Hatchback 2000>

Item	Qty	Description	Item	Qty	Description
A	1	Crossmember	D	2	M16 x 50 Bolts Nuts & S/P Washers
B	2	Handed Side Arms	E	4	M10 x 110 Bolts, Nuts & S/P Washers
C	4	17 x 78 Spacer Tubes	F	4	M10 x 50 Bolts, Nuts & S/P Washers
			G	4	10 x 30 Flat Washers
			H	12	10 x 25 Flat Washers

1. Temporarily remove the plastic panel from the underside of the vehicle (3 large nuts).
2. Remove the rear bumper (two torx head screws on the top edge, four large nuts underneath, three screws in the wheel arch liner, two screws at the tips behind the wheel arch liner at the top and one clip on the top edge of the tips each side).
3. Lower the exhaust and temporarily remove the heat shield.
4. Locate the two existing holes in the side of each chassis member and using item E with item G and item C placed inside the existing holes, loosely bolt item B to the inside face of each chassis member. Note the bolts should locate into the slots provided.
5. Using item F with item H loosely bolt item A to the two existing holes in the rear panel and to item B through the lower holes.
6. Fully tighten all nuts and bolts and ensure the towbar is rigid and secure.
7. Cut a slot in the front edge of the bumper extension. 60mm wide x 230 deep (see sketch).
8. Re-place the heat shield, exhaust and re-fit the bumper and plastic panel.
9. Using item D bolt the ball bracket and wiring plate (not supplied in this kit) to the mounting plate.

### This Towbar can be fitted without removing the bumper

1. Temporarily remove the plastic panel from the underside of the vehicle (three large nuts).
2. Remove the plastic bumper extension (four large nuts) cut a slot in the front edge 60mm wide x 230mm deep (see sketch).
3. Remove the heat shield.
4. Fit Towbar as per main instruction sheet. (Fully tighten all nuts and bolts from underneath).
5. Replace heat shield, plastic panel and bumper extension.



### Note:

1. Recommended Torque Setting for M12 Grade 10.9 -139 Nm. (For other Torque Settings see notes overleaf.)
2. Nose load limits and vehicle manufacturer's trailer / caravan weight limits must be observed.