



# Tow-Trust Towbars

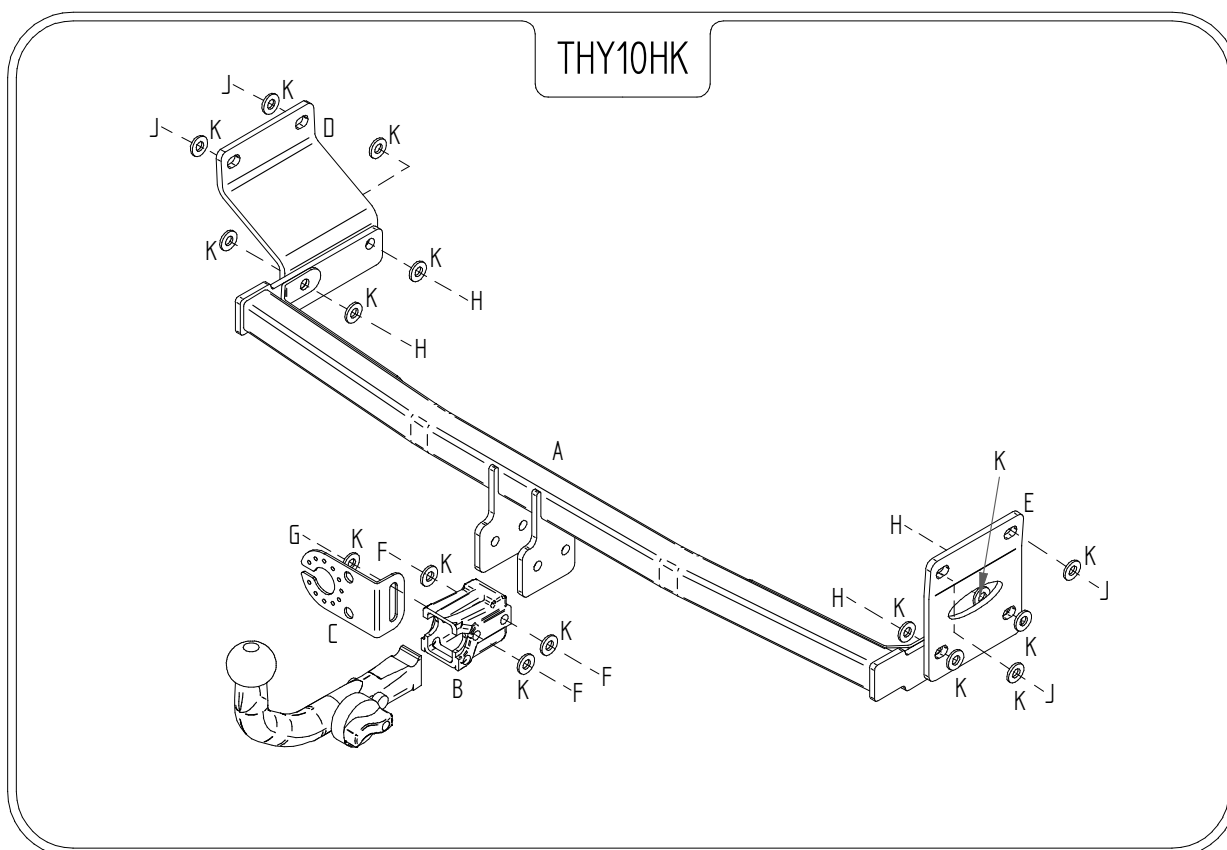
Important: Please read General Notes overleaf before fitting

Issue 1

## THY10HK HYUNDAI i20 2008>

Item	Qty	Description	Item	Qty	Description
A	1	Crossmember	F	3	M12 x 22 Bolts & S/P Washers
B	1	Detachable Housing	G	1	M12 x 25 Bolt & S/P Washers
C	1	HK Angle Socket Plate	H	4	M12 x 35 Bolts, Nuts & S/P Washers
D	1	L/H Side Arm	J	4	M12 x 30 x 1.25 Bolts & S/P Washers
E	1	R/H Side Arm	K	16	12 x 25 Flat Washers

1. Remove the seven fixings along the lower edge of the rear bumper, three fixings in each wheel arch and two fixings inside the boot to release the lower edge of bumper.
2. Locate Towbar mounting points on the outside face of each rear chassis member and clear of any mastic.
3. Using Item J with Item K fit the side arms to each correct chassis member shown in sketch.
4. Carefully locate the crossbar (Item A) into the bumper and attach to Item D and Item E using Item H with Item K.
5. Using Item F with Item K and Item G with Item K attach Item B and Item C to item A.
6. Fully tighten all nuts and bolts and ensure Towbar is rigid and secure.
7. Refit all bumper fixings.



**Note:** nose load limits and vehicle manufacturer's trailer / caravan weight limits must be observed.