



Tow-Trust Towbars

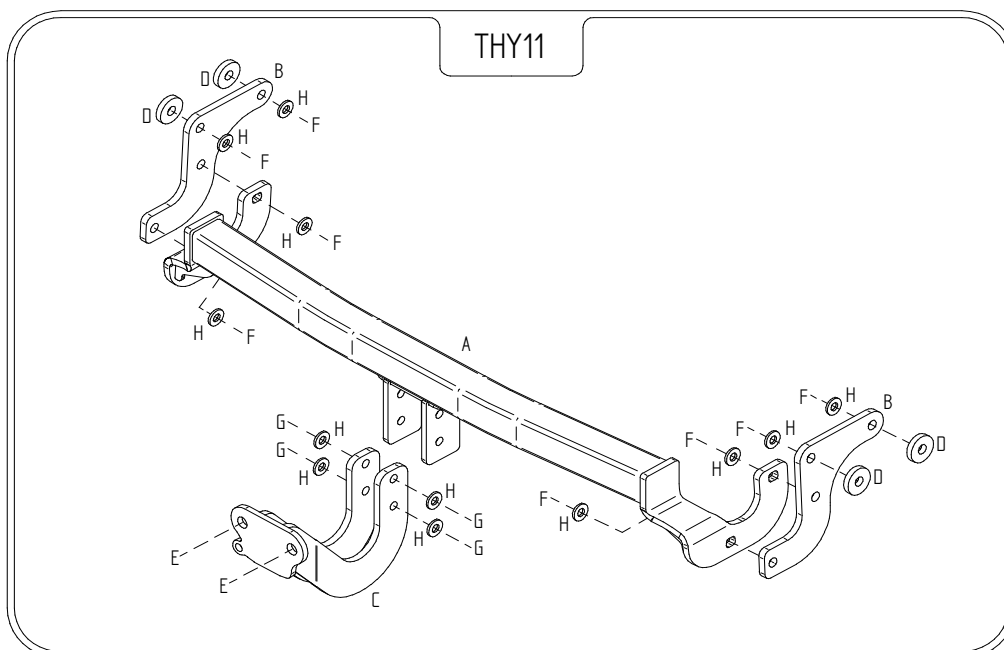
Important: Please read General Notes overleaf before fitting

Issue 1

THY11 HYUNDAI i40

Item	Qty	Description	Item	Qty	Description
A	1	Crossmember	E	2	M16 x 50 Bolts, Nuts & S/P Washers
B	2	Side Arms	F	8	M12 x 40 x 1.25 Bolts, 4 Nuts & 8 S/P Washers
C	1	Extension Bar	G	4	M12 x 40 Bolts & Nyloc Nuts
D	4	40 o/d Spacers	H	12	12 x 25 Flat Washers

1. Remove the four fixings along the lower edge of the rear bumper and remove the N/S plastic under tray.
2. Lower the rear silencer and support to prevent damage, and remove heat shield.
3. Using Item F (Fine pitch bolts) with Item H loosely bolt Items B to the inside face of each chassis member using Item D as spacers between chassis and side arms.
4. Carefully insert Item A into the bumper and using Items F and Items H bolt Item A to Items B. **NOTE:** you may find it necessary to trim the central bumper tag.
5. Using Items G with Items H bolt Item C to Item A. **(You may find it easier fitting Item C and fully tightening before inserting Item A into the bumper).**
6. Using Item E bolt your desired ball bracket and wiring plate (not supplied in this kit) to Item C.
7. Fully tighten all nuts and bolts ensuring Towbar is rigid square and secure.
8. Replace plastic under tray & heat shield, re hang exhaust and replace all lower edge bumper fixings.



Note:

1. Recommended Torque Setting for M12 Grade 10.9 -139 Nm. (For other Torque Settings see notes overleaf.)
2. Nose load limits and vehicle manufacturers trailer / caravan weight limits must be observed.