



Tow-Trust Towbars

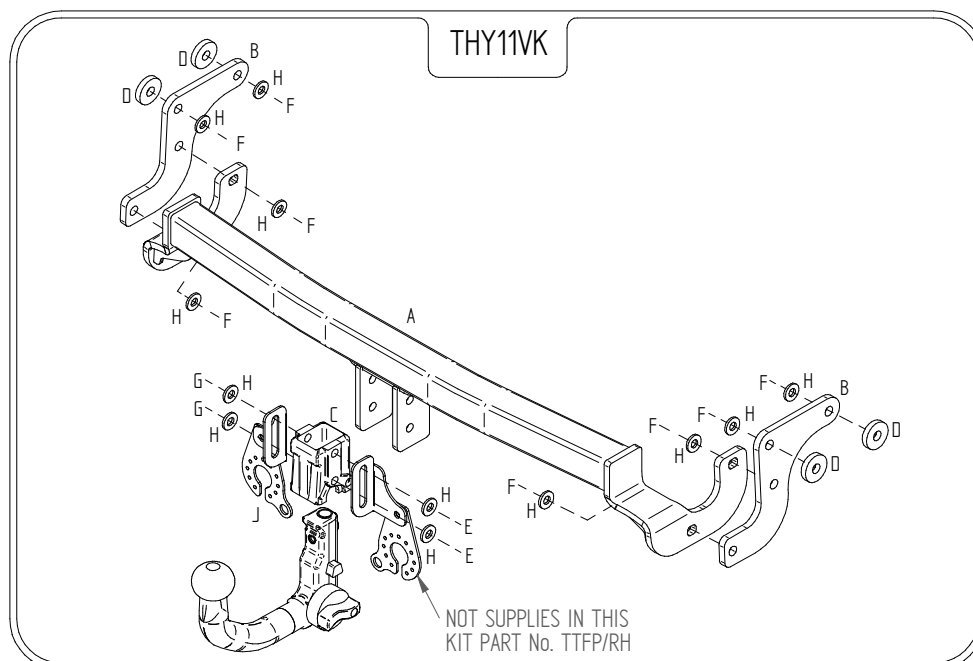
Important: Please read General Notes overleaf before fitting

Issue 1

THY11VK HYUNDAI i40

Item	Qty	Description	Item	Qty	Description
A	1	Crossmember	E	2	M12 x 22 Bolts & S/P Washers
B	2	Side Arms	F	8	M12 x 40 x 1.25 Bolts, 4 Nuts & 8 S/P Washers
C	1	Detachable Housing	G	2	M12 x 25 Bolts & S/P Washers
D	4	40 o/d Spacers	H	12	12 x 25 Flat Washers
			J	1	Flip Up Socket Plate

1. Remove the four fixings along the lower edge of the rear bumper and remove the N/S plastic under tray.
2. Lower the rear silencer and support to prevent damage, and remove heat shield.
3. Using Item F (Fine pitch bolts) with Item H loosely bolt Items B to the inside face of each chassis member using Item D as spacers between chassis and side arms.
4. Carefully insert Item A into the bumper and using Items F and Items H bolt Item A to Items B. **NOTE:** you may find it necessary to trim the central bumper tag.
5. Using Items G with Items H and Items E with Items H bolt Item C and Item J to Item A. **(You may find it easier fitting Item C and Item J and fully tightening before inserting Item A into the bumper).**
6. Fully tighten all nuts and bolts ensuring Towbar is rigid square and secure.
7. Replace plastic under tray & heat shield, re hang exhaust and replace all lower edge bumper fixings.



Note:

1. Recommended Torque Setting for M12 Grade 10.9 -139 Nm. (For other Torque Settings see notes overleaf.)
2. Nose load limits and vehicle manufacturers trailer / caravan weight limits must be observed.