



# Tow-Trust Towbars

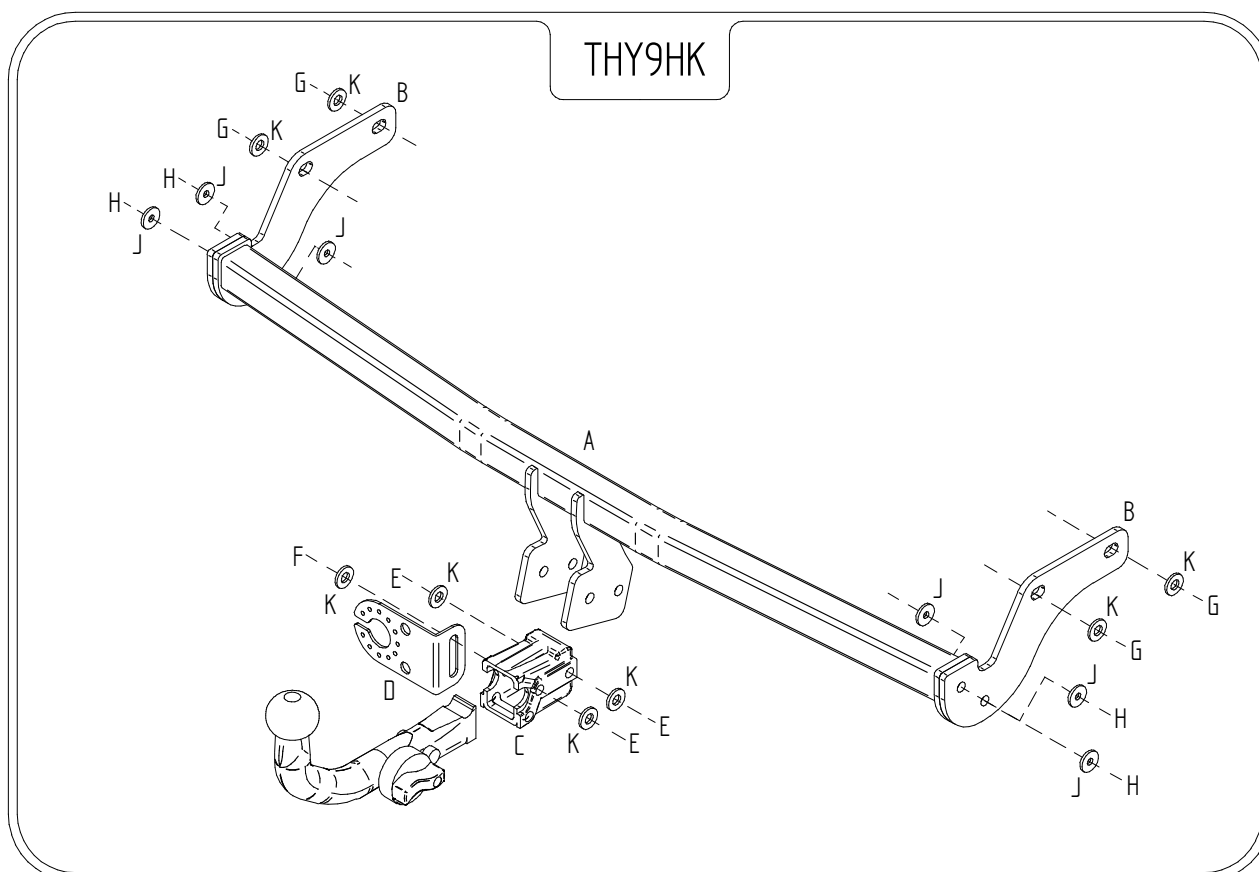
Important: Please read General Notes overleaf before fitting

Issue 1

## THY9HK HYUNDAI i10 2008>

Item	Qty	Description	Item	Qty	Description
A	1	Crossmember	E	3	M12 x 22 Bolts & S/P Washers
B	2	Side Arms	F	1	M12 x 25 Bolt & S/P Washers
C	1	Detachable Housing	G	4	M12 x 30 x 1.25 Bolts & S/P Washers
D	1	HK Angle Socket Plate	H	4	M10 x 30 x Bolts, 2 Nuts & 4 S/P Washers
			J	6	10 x 25 Flat Washers
			K	8	12 x 25 Flat Washers

1. Remove the four fixings along the lower edge of the rear bumper.
2. We at Tow-Trust advise you fit your electrics first access is obstructed by the Towbar Crossmember.
3. Locate Towbar mounting points on the outside face of each rear chassis member and clear of any mastic.
4. Using Item G with Item K fit the side arms (Item B) to each chassis member.
5. Carefully locate the crossbar (Item A) into the bumper and attach to Items B using Item H with Item J.
6. Using Item F with Item K and Item E with Item K attach Item C and Item D to item A.
7. Fully tighten all nuts and bolts and ensure Towbar is rigid and secure.
8. Refit all bumper fixings.



**Note:** nose load limits and vehicle manufacturer's trailer / caravan weight limits must be observed.