



# Tow-Trust Towbars

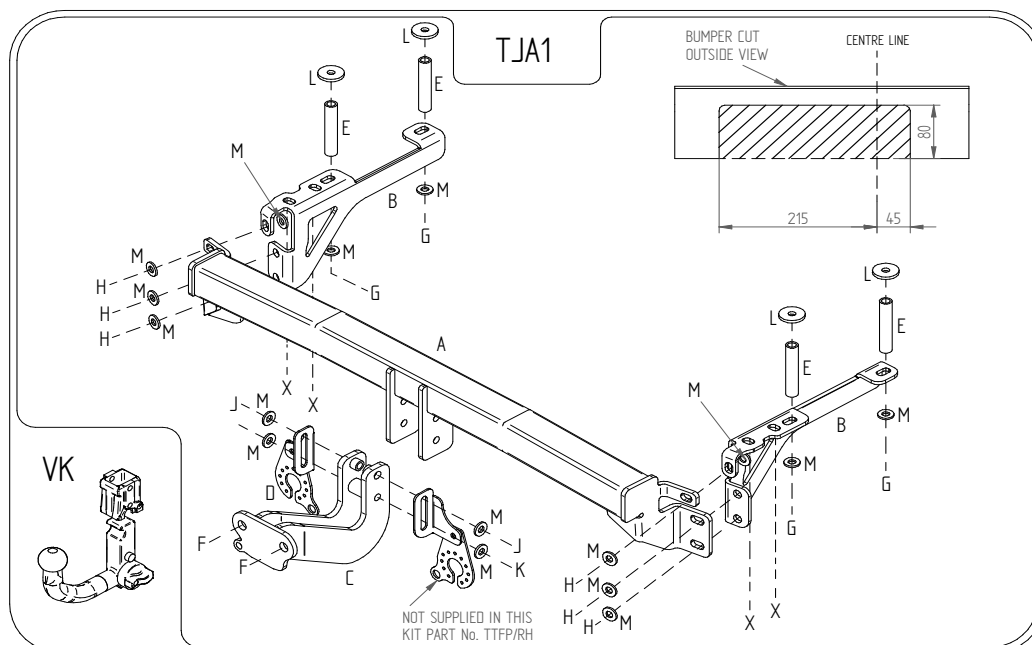
Important: Please read General Notes overleaf before fitting

Issue 1

TJA1 JAGUAR XF 2008>

| Item | Qty | Description                | Item | Qty | Description                        |
|------|-----|----------------------------|------|-----|------------------------------------|
| A    | 1   | Crossmember                | F    | 2   | M16 x 40 Bolts, Nuts & S/P Washers |
| B    | 2   | Handed Side Arms           | G    | 4   | M12 x 130 Bolts, Nut & S/P Washers |
| C    | 1   | Extension Bar              | H    | 6   | M12 x 40 Bolts, Nuts & S/P Washers |
| D    | 1   | Flip Up Socket Plate       | J    | 2   | M12 x 40 Bolts & S/P Washers       |
| E    | 4   | 19mm x 100mm Spacer Bushes | K    | 1   | M12 x 110 Bolt & Nyloc Nut         |
|      |     |                            | L    | 4   | 12 x 40 Flat Washers               |
|      |     |                            | M    | 16  | 12 x 25 Flat Washers               |

1. Lower and support both rear exhaust silencers.
2. Remove exhaust heat shields. (These will need trimming to suit side arms (item B).
3. Remove fixings from lower edge of rear bumper.
4. Cut the lower edge of the rear bumper as shown. SEE SKETCH.
5. Remove the floor covering and side panels from inside the boot.
6. Remove the brackets from the lower face of each chassis that connect to the rear panel and retain the bolts. (Discard the brackets).
7. Inside the boot locate the dimples (200mm centres) and drill through both faces of the chassis members, opening **TOP FACE ONLY** to 20mm.
8. Insert items E into each chassis (Take care not to lose in chassis members).
9. Using items G, M & L loosely bolt items B to each correct chassis member.
10. Using existing fixings loosely bolt items B through the remaining two mounting points on the lower face of each chassis.
11. Using item J with item M and item K with item M bolt items C and D to item A and fully tighten.
12. Using item H with item M fit item A up inside the bumper sandwiching the rear panel and side arms (items B).
13. Using item F bolt the ball bracket (not supplied in this kit) to item C.
14. Fully tighten all nuts and bolts ensuring Towbar is rigid and secure.
15. Refit exhaust heat shields (after being trimmed), exhaust silencers and boot trim.



**Note:**

1. Recommended Torque Setting for M12 Grade 10.9 -139 Nm. (For other Torque Settings see notes overleaf.)
2. Nose load limits and vehicle manufacturer's trailer / caravan weight limits must be observed.