



Tow-Trust Towbars

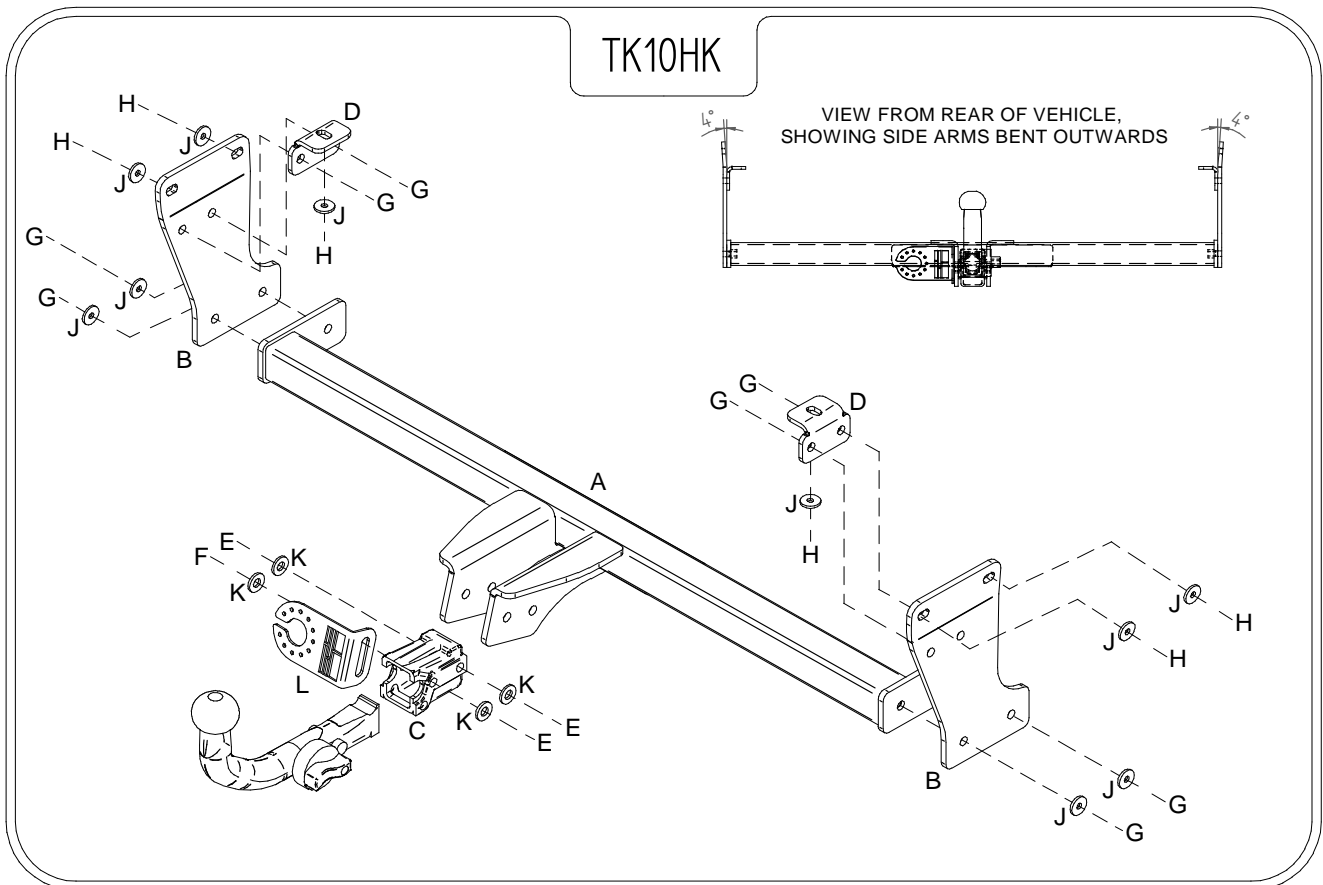
Important: Please read General Notes overleaf before fitting

Issue 1

TK10HK Kia Cee'd 2007>

Item	Qty	Description	Item	Qty	Description
A	1	Crossmember	E	3	M12 x 22 Bolts S/P Washers
B	2	Handed Side Arms	F	1	M12 x 25 Bolt & S/P Washers
C	1	Detachable Housing	G	8	M10 x 35 Bolts, 6 Nuts & 8 S/P Washers
D	2	Angle Brackets	H	6	M10 x 40 x 1.25 Bolts & S/P Washers
			J	10	10 x 25 Flat Washers
			K	4	12 x 25 Flat Washers

1. Locate towbar mounting points and remove any mastic from around them.
2. Using Item H with Item J loosely bolt the two angle brackets (Item D) to the bottom face of each chassis.
3. Using Item H with Item J loosely bolt the handed side arms (Item B) to the outside face of each chassis, noting the correct arm for the correct side (see sketch).
4. Using Item G, bolt Item B and Item D together but do not fully tighten at this stage.
5. Using Item G with Item J, bolt Item A between the handed side arms (Items B).
6. Using Item F with Item K and Item E with Item K bolt Item C and Item L to Item A.
7. Fully tighten all nuts and bolts and ensure the towbar is rigid, square and secure.
8. Ensure there is good clearance around the exhaust and Item A, and if needed, adjust the exhaust hanger to suit.



Note:

1. Recommended Torque Setting for M12 Grade 10.9 -139 Nm. (For other Torque Settings see notes overleaf.)
2. Nose load limits and vehicle manufacturer's trailer / caravan weight limits must be observed.