



# Tow-Trust Towbars

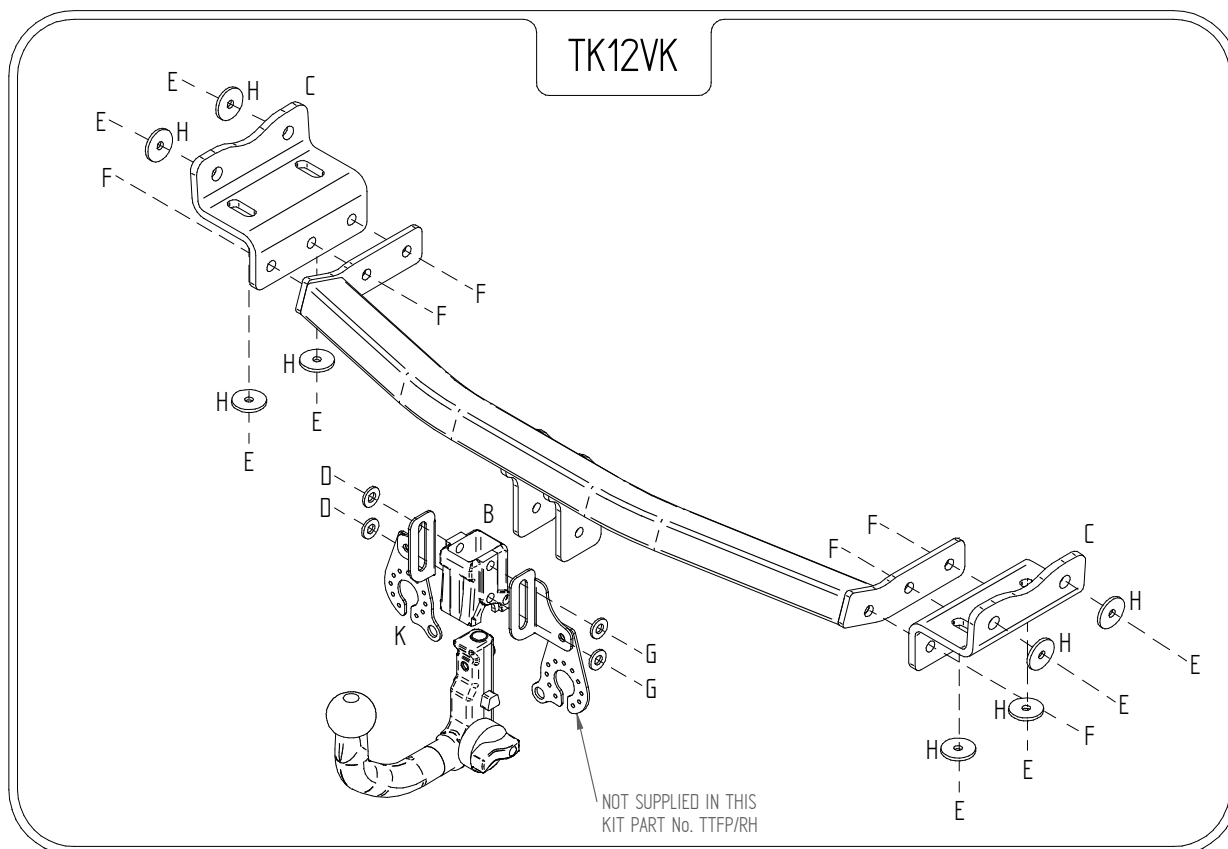
Important: Please read General Notes overleaf before fitting

Issue 2

## TK12VK KIA SPORTAGE 3 HYUNDAI iX 35 2010>

Item	Qty	Description	Item	Qty	Description
A	1	Crossmember	D	2	M12 x 25 Bolts & S/P Washers
B	1	Detachable Housing	E	8	M10 x 35 x 1.25 Bolts & S/P Washers
C	2	Side Arms	F	6	M12 x 40 Bolts, 6 Nuts & 6 S/P Washers
			G	2	M12 x 22 Bolts & S/P Washers
			H	8	10 x 40 Flat Washers
			J	4	12 x 25 Flat Washers
			K	1	Flip Up Socket Plate

1. **Optional:** You may find fitting this Towbar easier by first lowering the exhaust silencers.
2. Locate all Towbar mounting points and clear of any mastic.
3. Using item E with item H loosely fix side arms (item C) to each chassis member.
4. Carefully insert item A up into the rear bumper and fix in place with item F.
5. Using item D with item J and item G with item J fix item B and item K to item A.
6. Fully tighten all nuts and bolts ensuring Towbar is rigid and secure.



**Note:**

1. Recommended Torque Setting for M12 Grade 10.9 -139 Nm. (For other Torque Settings see notes overleaf.)
2. Nose load limits and vehicle manufacturer's trailer / caravan weight limits must be observed.