



Tow-Trust Towbars

Important: Please read General Notes overleaf before fitting

Issue 2

TL1 LAND ROVER DISCOVERY 3 / 4 RANGE ROVER SPORT 2005>

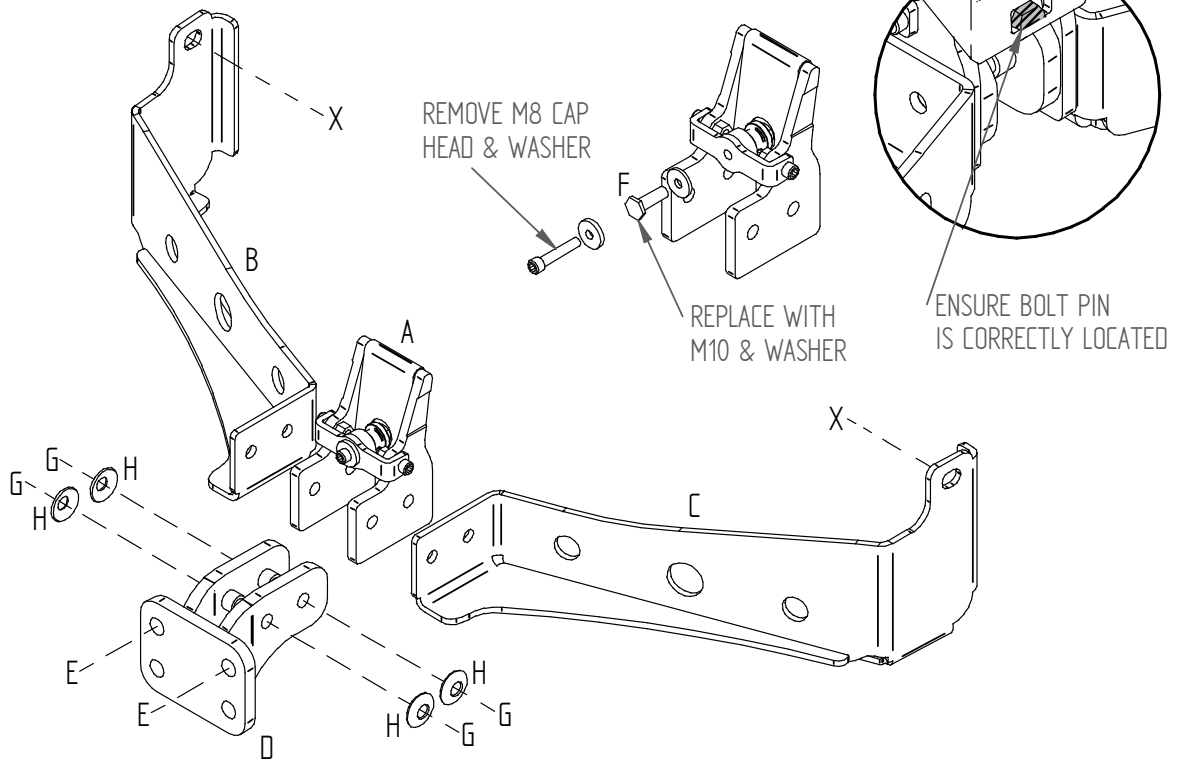
Item	Qty	Description	Item	Qty	Description
A	1	Central Body	E	2	M16 x 50 Bolts, Nuts & S/P Washers
B	1	L/H Side Arm	F	1	M10 x 25 Bolt & S/P Washers
C	1	R/H Side Arm	G	4	M12 x 45 Grade 10.9 & S/P Washers
D	1	Extension Bar	H	4	Disk Spring Washers
			J	4	12 x 40 Flat Washers
			K	2	25mm O/D x 88mm Spacer Tubes
			L	2	M12 x 130 Bolts & Nyloc Nuts
			M	4	M12 Bolt Caps
			N	1	M10 Bolt Cap

1. Lower the Spare Wheel.
2. Remove the red plastic insert cover from the central Towbar mounting point.
3. Insert item **A** into the central mounting point, Hold in place and remove the M8 Fixing from item **A** whilst every 2 turns give the fixing a light tap, this will ensure correct location of the bolt locking pin.
4. Once the M8 fixing is removed and item **A** is firmly located in its correct position lock in place with item **F**.
5. **2005-2008 models** - Remove the M14 fixing (**X**) from the inside face of each chassis, whilst removing item **X** loosen receptor bolt on the outside face of chassis at the same time, This will make refitting item **X** easier.
6. Using item **X** loosely fit items **B** and **C** to the correct chassis members.
7. **2008>** - Locate item **K** into chassis members through the enlarged hole on the outside face of each chassis member being careful not to drop item **K** inside the chassis.
8. Using item **L** with item **J** fit items **B** and **C** to the correct chassis members.
9. **2005>**- using item **G** with item **H** bolt items **B** and **C** to item **A** and **D**.
10. Using item **E** bolt the ball bracket (not supplied in this kit) to item **D**.
11. Fully tighten all nuts and bolts ensuring Towbar is square rigid and secure.
12. Raise spare wheel to correct location.

Note:

1. Recommended Torque Setting for M12 Grade 10.9 -139 Nm. (For other Torque Settings see notes overleaf.)
2. Nose load limits and vehicle manufacturer's trailer / caravan weight limits must be observed.

TL1 2005-2008



TL1 2008>

