



Tow-Trust Towbars

Important: Please read General Notes overleaf before fitting

Issue 2

TL1 HKF LAND ROVER DISCOVERY 3 / 4 RANGE ROVER SPORT 2005>

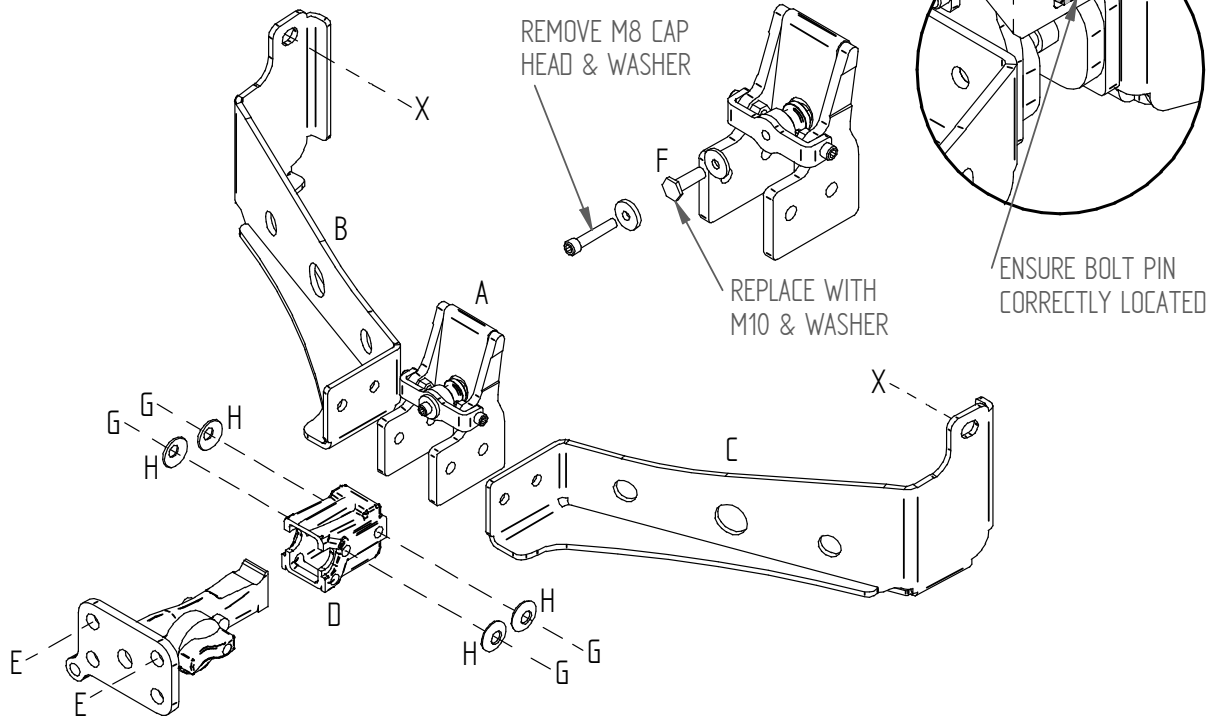
Item	Qty	Description	Item	Qty	Description
A	1	Central Body	E	2	M16 x 50 Bolts, Nuts & S/P Washers
B	1	L/H Side Arm	F	1	M10 x 25 Bolt & S/P Washers
C	1	R/H Side Arm	G	4	M12 x 30 Grade 10.9 & S/P Washers
D	1	Detachable Housing	H	4	Disk Spring Washers
			J	4	12 x 40 Flat Washers
			K	2	25mm O/D x 88mm Spacer Tubes
			L	2	M12 x 130 Bolts & Nyloc Nuts
			M	4	M12 Bolt Caps
			N	1	M10 Bolt Cap

1. Lower the Spare Wheel.
2. Remove the red plastic insert cover from the central Towbar mounting point.
3. Insert item **A** into the central mounting point, Hold in place and remove the M8 Fixing from item **A** whilst every 2 turns give the fixing a light tap, this will ensure correct location of the bolt locking pin.
4. Once the M8 fixing is removed and item **A** is firmly located in its correct position lock in place with item **F**.
5. **2005-2008 models** - Remove the M14 fixing (**X**) from the inside face of each chassis, whilst removing item **X** loosen receptor bolt on the outside face of chassis at the same time, This will make refitting item **X** easier.
6. Using item **X** loosely fit items **B** and **C** to the correct chassis members.
7. **2008>** - Locate item **K** into chassis members through the enlarged hole on the outside face of each chassis member being careful not to drop item **K** inside the chassis.
8. Using item **L** with item **J** fit items **B** and **C** to the correct chassis members.
9. **2005>**- using item **G** with item **H** bolt items **B** and **C** to item **A** and **D**.
10. Insert Detachable Extension. (Please use instruction supplied with detachable unit).
11. Using item **E** bolt the ball bracket (not supplied in this kit) to Detachable Extension.
12. Fully tighten all nuts and bolts ensuring Towbar is square rigid and secure.
13. Raise spare wheel to correct location.

Note:

1. Recommended Torque Setting for M12 Grade 10.9 -139 Nm. (For other Torque Settings see notes overleaf.)
2. Nose load limits and vehicle manufacturer's trailer / caravan weight limits must be observed.

TL1HKF 2005-2008



TL1HKF 2008>

