



# Tow-Trust Towbars

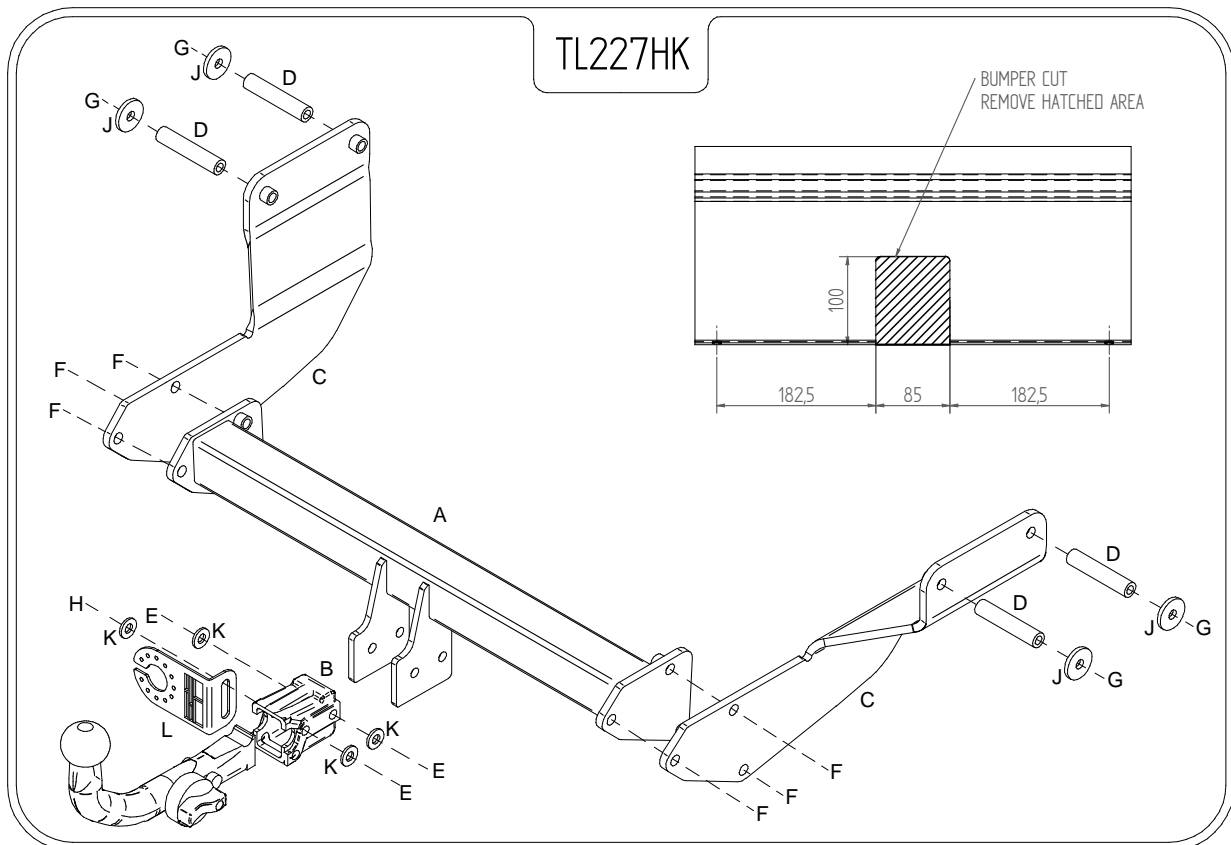
Important: Please read General Notes overleaf before fitting

Issue 2

## TL227HK Jaguar X.Type Saloon 2001> & Estate 2004>

Item	Qty	Description	Item	Qty	Description
A	1	Crossmember	E	3	M12 x 22 Bolts & S/P Washers
B	1	Detachable Housing	F	6	M12 x 35 Bolts, 4 Nuts & 6 S/P Washers
C	2	Handed side arms	G	4	M12 x 130 Bolts & S/P Washers
D	4	19 x 90.5 Spacer Bushes	H	1	M12 x 25 Bolts & S/P Washer
			J	4	12 x 40 Flat Washers
			K	4	12 x 25 Flat Washers
			L	1	Socket Plate

1. Remove the rear bumper. Three plastic fixings along the lower edge, two bolts inside the boot behind the trim, four nuts inside along the rear panel, two fixings in each lower mudguard, one upper tip bolt and one side bolt behind each mudguard.
2. Cut a small section from the lower edge of the bumper centrally 85mm wide x 100mm deep. Trim the bumper cut to suit the socket plate if needed.
3. At the rearmost mounting temporarily lower the exhaust silencers.
4. Locate Item D and Item G with Item J under each bolt head, into existing holes in each chassis. NOTE: the bolts should locate into the slots provided. Loosely bolt Item C to these bolts.
5. Using Item F loosely bolt Item A to Item C.
6. Using Item H with Item K and Item E with Item K bolt Item B and Item L to Item A.
7. Fully tighten all nuts and bolts and ensure the towbar is rigid and secure.
8. Replace rear bumper.



### Note:

1. Recommended Torque Setting for M12 Grade 10.9 -139 Nm. (For other Torque Settings see notes overleaf.)
2. Nose load limits and vehicle manufacturers trailer / caravan weight limits must be observed.