



Tow-Trust Towbars

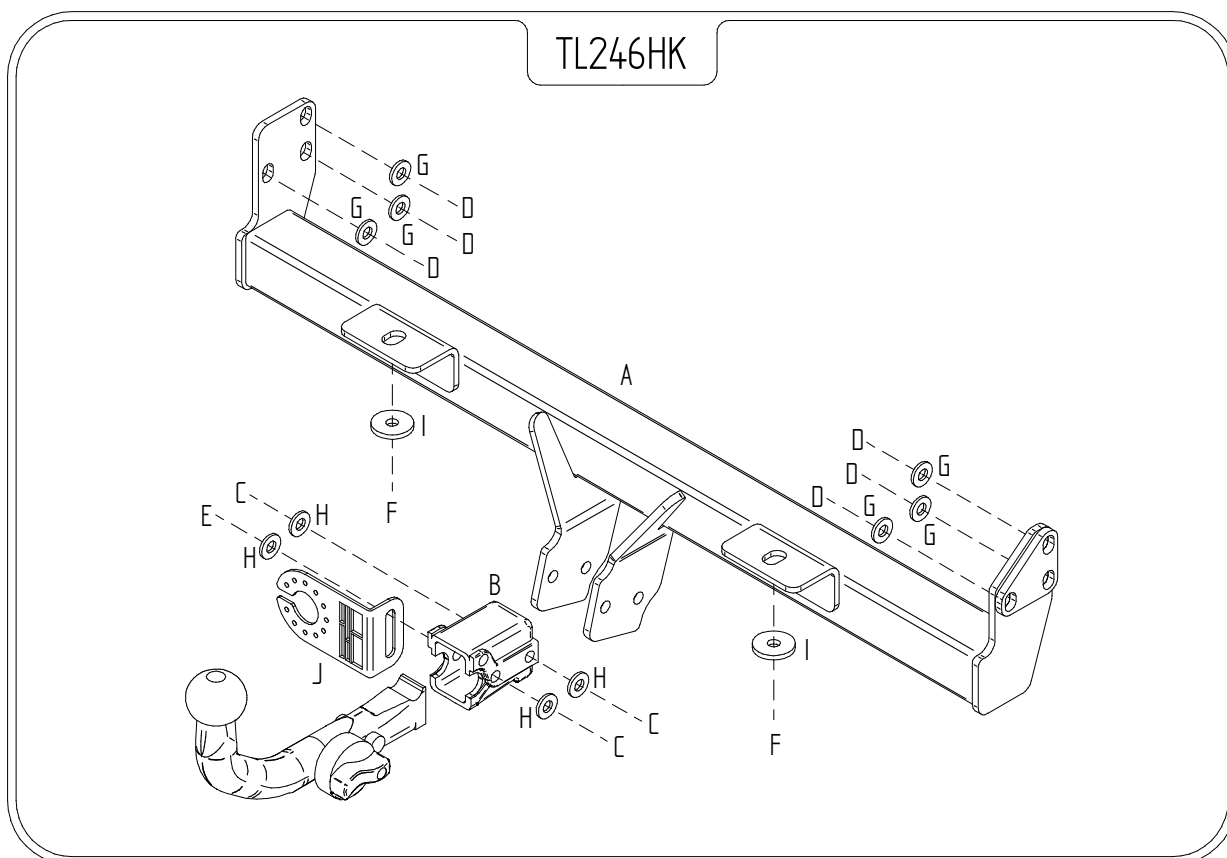
Important: Please read General Notes overleaf before fitting

Issue 2

Type TL246HK Rover Frelander 97>

Item	Qty	Description	Item	Qty	Description
A	1	Towbar	F	2	M12 x 75 x 1.25 Bolts & S/P Washers
B	1	Detachable Housing	G	6	10 x 30 Flat Washers
C	3	M12 x 22 Bolts & S/P Washers	H	4	12 x 25 Flat Washers
D	6	M10 x 40 Bolts & S/P Washers	I	2	12 x 40 Flat Washers
E	1	M12 x 25 Bolts & S/P Washers	J	1	Angle Socket Plate

1. Remove the three inner bolts only securing the towing eye.
2. Locate the two existing holes across the rear of the vehicle (these are covered with tape).
3. Using item D with item G loosely bolt item A to the existing threaded holes each side.
4. Using item F with item I bolt item A to the existing central mounting points.
5. Using item E with item H and item C with item H bolt item B and item J to item A.
6. Fully tighten all nuts and bolts and ensure the Towbar is rigid and secure.



Note:

1. Recommended Torque Setting for M12 Grade 10.9 -139 Nm. (For other Torque Settings see notes overleaf.)
2. Nose load limits and vehicle manufacturer's trailer / caravan weight limits must be observed.