



Tow-Trust Towbars

Important: Please read General Notes overleaf before fitting

Issue 2

TM12VK MERCEDES E-class SAL (W212) 2009> E-class ESTATE (S212) 2010>

Item	Qty	Description	Item	Qty	Description
A	1	Crossmember	F	4	M10 x 45 Bolts & S/P Washers
B	2	Handed Side Arms	G	8	M10 x 40 Bolts & Nyloc Nuts
C	1	Detachable Housing	H	4	M12 x 40 Bolts, 4 Nuts & 6 S/P Washers
D	1	Flip Up Socket Plate	J	2	M12 x 25 Bolts & S/P Washers
			K	4	10 x 30 Flat washers
			L	8	12 x 25 Flat Washers
			M	16	10 x 25 Flat Washers
			N	2	M12 x 22 Bolts & S/P Washers

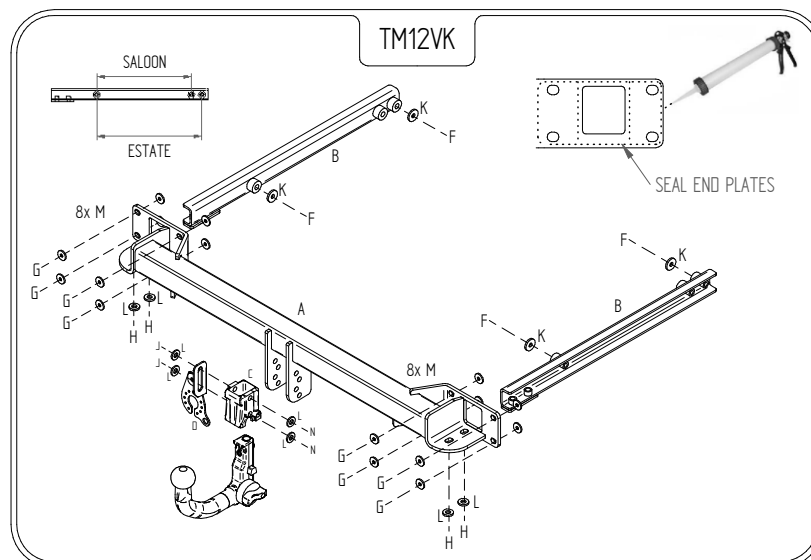
IMPORTANT: IT IS ADVISABLE TO USE A SEALANT ON MATING FACES, AND AROUND ANY MOUNTING POINTS ON REAR PANEL TO PREVENT ANY WATER DAMAGE TO CHASSIS OR BOOT.

BUMPER REMOVAL:

First remove the boot trim, side panels floor cover and floor supports, remove rear light clusters (not clusters in tailgate). In each wheel arch remove three fixings around arch and one tip fixing each side, four fixings along lower edge, two fixings through rear panel located inside boot, pull bumper rearward disconnecting any necessary wiring. Remove rear crash beam (Towbar replaces crash beam), carefully remove gaskets from crash beam.

TOWBAR INSTALATION:

1. Insert Items **B** into each correct chassis member and loosely bolt in place using Item **F** and Item **K**.
2. Line gaskets up with mounting points on the rear panel mark off were they meet Items **B** and carefully cut around arms. **(It is important this is done as neat as possible, also both faces sealed with a water proof sealant as you don't want water damage internal of the chassis members).**
3. With the gaskets in place bolt Item **A** to the rear panel using Item **G** and Item **M** ensuring gaskets are neatly placed between rear panel and Towbar.
4. Using Item **H** with Item **L** bolt Item **A** to Items **B**.
5. Fully tighten all fixings ensuring Towbar is rigid square and secure, replace bumper and boot interior.
6. Using Item **N** with Item **L** and Item **J** and Item **L** bolt Item **C** and Item **D** to Item **A** choosing the correct holes settings for bumper and car variant and fully tighten.



Note:

1. Recommended Torque Setting for M12 Grade 10.9 -139 Nm. (For other Torque Settings see notes overleaf.)
2. Nose load limits and vehicle manufacturers trailer / caravan weight limits must be observed.