



Tow-Trust Towbars

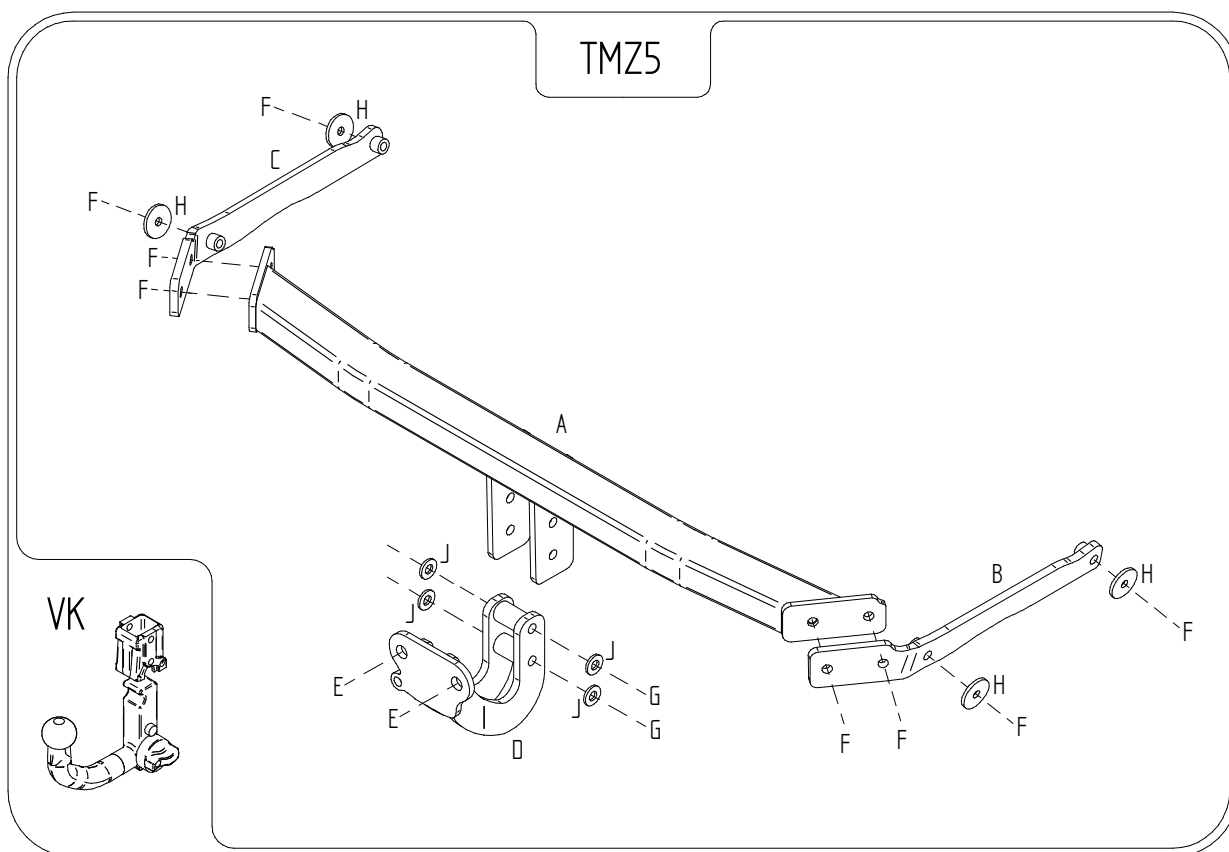
Important: Please read General Notes overleaf before fitting

Issue 1

TMZ5 MAZDA 2 2007>

Item	Qty	Description	Item	Qty	Description
A	1	Crossmember	E	2	M16 x 50 Bolts Nuts & Washers
B	1	Right Hand Side Arm	F	8	M10 x 40 Bolts, 2 Nuts & 8 Washers
C	1	Left Hand Side Arm	G	2	M12 x 100 Grade 10.9 Bolts & Nyloc Nuts
D	1	Extension bar	H	4	10 x 30 Flat Washers
			J	4	12 x 25 Flat Washers

1. Remove the rear lights and the rear bumper.
2. Remove the bumper impact beam (This is not refitted with the Towbar) replace nuts back onto the studs.
3. Locate Item **B** into the right hand chassis and loosely bolt in place using item **F** with item **H**.
4. Locate item **C** into the left hand chassis and loosely bolt in place using item **F** with item **H**.
5. Using item **F** bolt item **A** between item **B** and item **C**.
6. Using item **G** with item **J** bolt item **D** to item **A**.
7. Fully tighten all nuts and bolt and ensure Towbar is rigid and secure.
8. Refit the bumper and lights.
9. Using item **E** bolt the ball bracket and wiring plate (not supplied in this kit) to the mounting plate and fully tighten.



Note: nose load limits and vehicle manufacturer's trailer / caravan weight limits must be observed.