



Tow-Trust Towbars

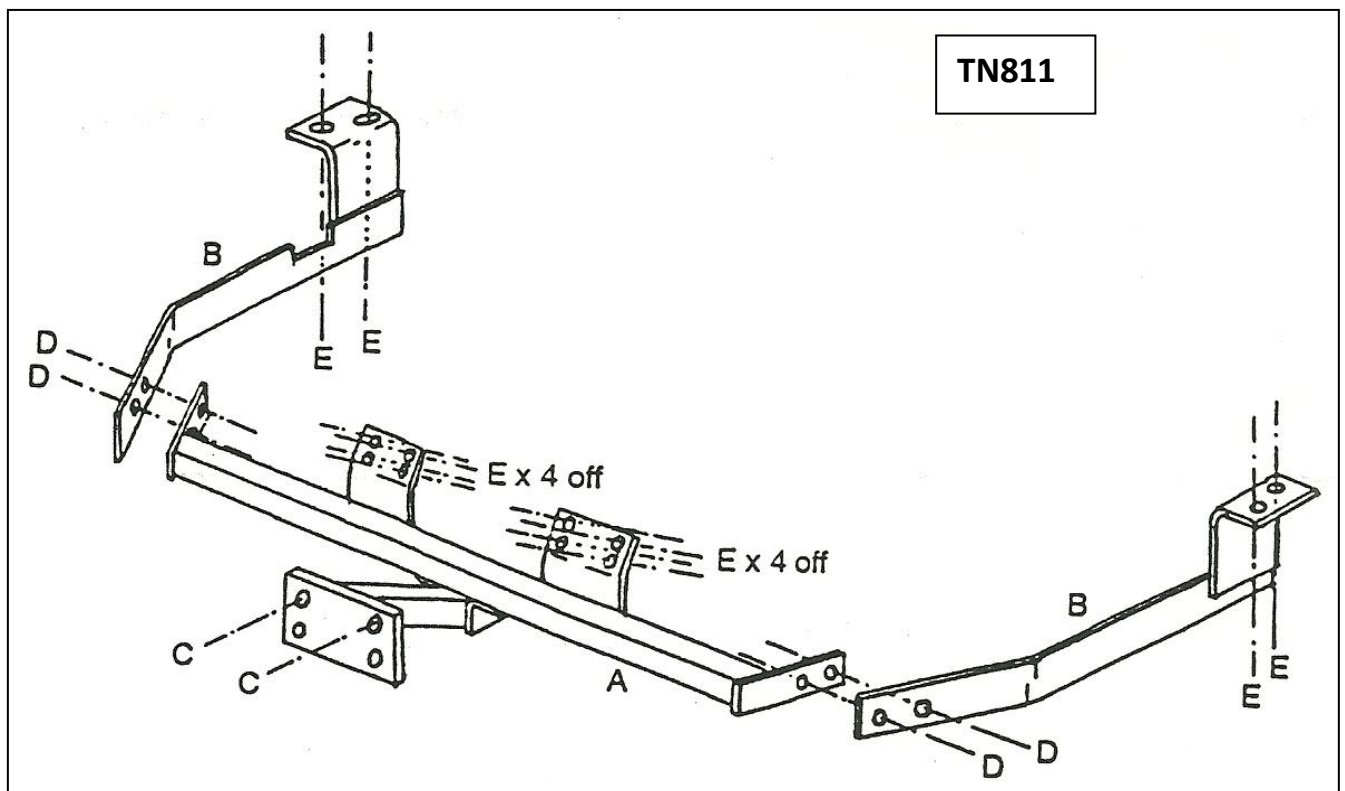
Important: Please read General Notes overleaf before fitting

Issue 1

TN 811 Nissan Serena '93 >

| Item | Qty | Description | Item | Qty | Description |
|------|-----|-----------------------|------|-----|--|
| A | 1 | Crossmember | C | 2 | M16 x 50 Bolts, Nuts & S/P Washers |
| B | 2 | L / H & R/H Side Arms | D | 4 | M12 x 35 Bolts, Nuts & S/P Washers |
| | | | E | 12 | M10 x 30 x 1.25 Bolts & S/P Washers Only |
| | | | F | 12 | 10 x 25 Flat Washers |
| | | | G | 4 | 12 x 25 Flat Washers |

1. From underneath the vehicle, locate the eight captive nuts in the rear crossmember.
2. Using Item E with Item F, loosely bolt Item A to the eight captive nuts.
3. Using Item E with Item F loosely bolt Item B to the captive nuts in the bottom face of each chassis member.
4. Using Item D bolt Item B to Item A.
5. Using Item C bolt the ball bracket and wiring plate (not supplied in this kit) to the mounting plate.
6. Fully tighten all nuts and bolts and ensure the towbar is rigid and secure.



Note:

1. Recommended Torque Setting for M12 Grade 10.9 -139 Nm. (For other Torque Settings see notes overleaf.)
2. Nose load limits and vehicle manufacturer's trailer / caravan weight limits must be observed.