



Tow-Trust Towbars

Important: Please read General Notes overleaf before fitting

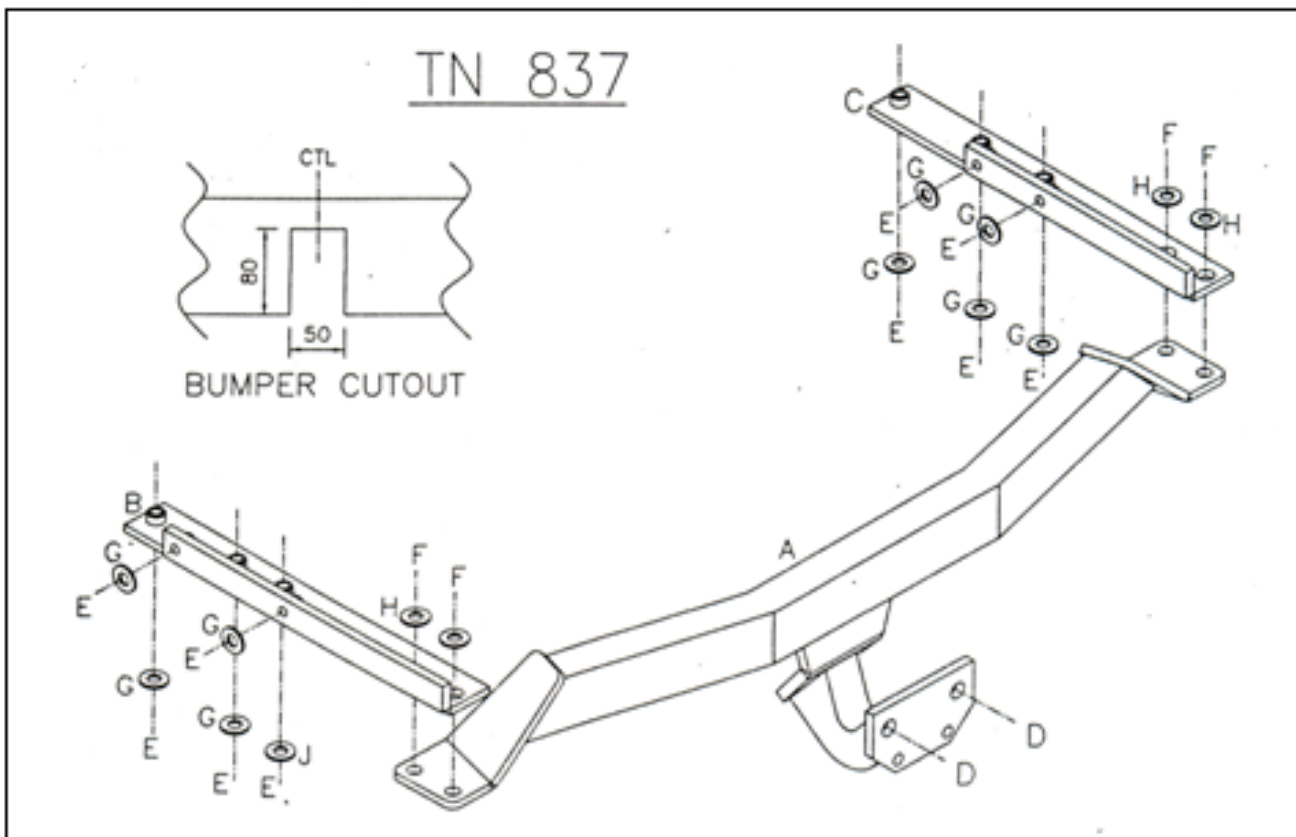
Issue 1

TN 837 NISSAN TINO 2000>

Item	Qty	Description	Item	Qty	Description
A	1	Towbar	F	4	M12x35 Bolts, Nuts & Washers
B	1	Left Hand Side Arm	G	9	10x25 Flat Washers
C	1	Right Hand Side Arm	H	4	12x25 Flat Washers
D	2	M16x50 Bolts, Nuts & Washers	J	1	10x20 Flat Washer
E	10	M10x35 Bolts & Washers only			

1. Remove the rear bumper. (Plastic clips along the lower edge, two tip bolts each side. Push in clips along the top edge, one bolt in each corner of the boot shut panel.)
2. Remove the towing eye and steel inner crossbeam. (These are no longer required.)
3. Cut a small section out of the bumper, 50mm wide x 80mm deep (See sketch.)
4. Temporarily lower the exhaust.
5. Locate Item **B** and Item **C** into each chassis member.
6. Using Item **E** with Item **G** and Item **J** on the rearmost left hand vertical fixing point loosely bolt into place.
7. Using Item **F** with Item **H** loosely bolt Item **A** to Item **B** and Item **C**.
8. Push the assembly forward and fully tighten all nuts and bolts.
9. Refit the bumper.
10. Using Item **D** bolt the ball bracket and wiring plate (not supplied in this kit) to the mounting plate.

Note: nose load limits and vehicle manufacturers' trailer / caravan weight limits must be observed.



Tow with Trust