



Tow-Trust Towbars

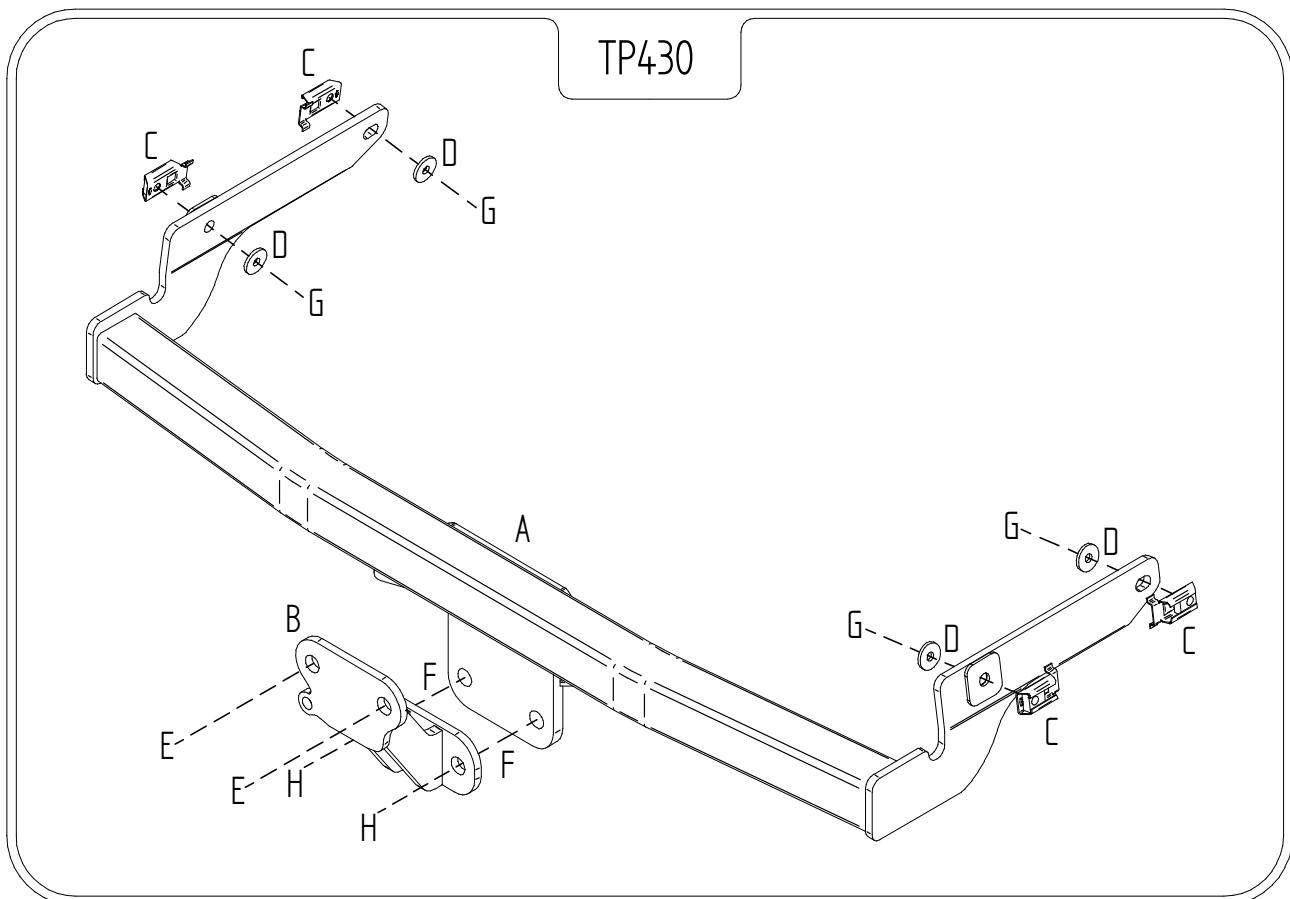
Important: Please read General Notes overleaf before fitting

Issue 3

TP430 Peugeot 206 '98>

Item	Qty	Description	Item	Qty	Description
A	1	Crossmember	E	2	M16 x 50 Bolts, Nuts & S/P Washers
B	1	Extension Bar	F	2	M16 x 40 Bolts, Nuts & S/P Washers
C	4	Caged Nuts M10 Small	G	4	M10 x 40 Bolts & S/P Washers Only
D	4	10 x 25 Flat Washers	H	2	16MM Bolt Caps

1. Lower the spare wheel.
2. Temporarily remove the exhaust from the two rearmost rubber hangers. Remove the heat shield. Remove the two nuts securing the bumper at the lower edge.
3. Locate item C into the holes provided in the side of each chassis member. Using item G with item D bolt item A into place.
4. Using item E bolt item B to item A.
5. Using item E bolt the ball bracket and wiring plate (not supplied in this kit) to the mounting plate.
6. Fully tighten all nuts and bolts and ensure the Towbar is rigid and secure.
7. Replace the heat shield, exhaust rubbers, bumper nuts and spare wheel.



Note:

1. Recommended Torque Setting for M12 Grade 10.9 -139 Nm. (For other Torque Settings see notes overleaf.)
2. Nose load limits and vehicle manufacturer's trailer / caravan weight limits must be observed.