



Tow-Trust Towbars

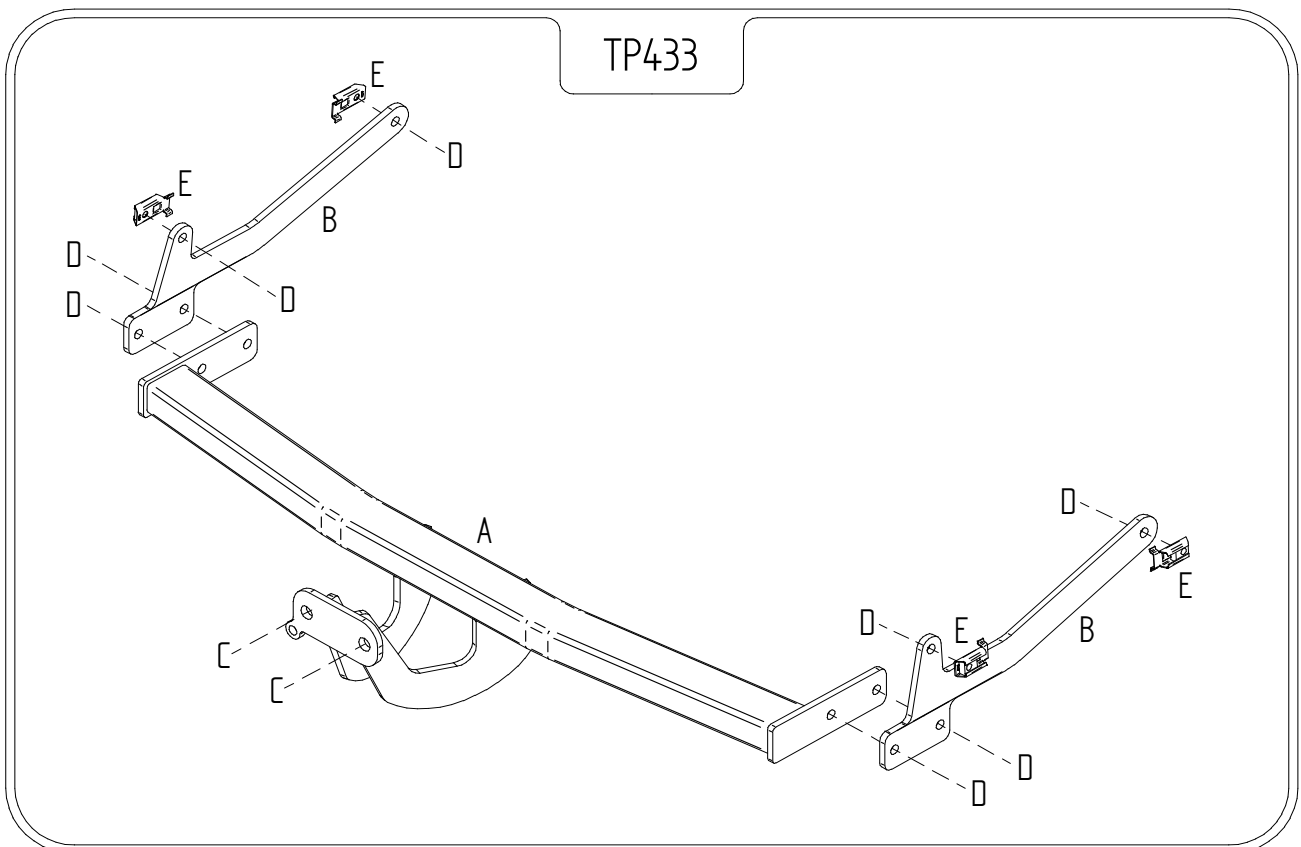
Important: Please read General Notes overleaf before fitting

Issue 2

TP433 Peugeot 206 ESTATE/STATION WAGON 2002>

Item	Qty	Description	Item	Qty	Description
A	1	Crossmember	C	2	M16 x 50 Bolts Nuts & Washers
B	2	Side Arms	D	8	M10 x 35 Bolts 4 Nuts & 8 Washers
			E	4	M10 Caged Nuts (Small)

1. Locate Item **E** into the two existing holes in each chassis member.
2. Temporarily unfasten the two bumper tags on the lower edge of the bumper.
3. Using Item **D** loosely bolt Item **B** to the caged nuts in each chassis.
4. Using Item **D** loosely bolt Item **A** to Item **B**. (Be careful not to mark rear face of bumper).
5. Push Item **A** up (Do not trap fog light wires) and tighten all nuts and bolts. Re fasten the two bumper tags.
6. Using Item **C** bolt the Towball and wiring plate (Not supplied in this kit) to the mounting plate.
7. Fully tighten all nuts and bolts and ensure the Towbar is rigid and secure.



Note: nose load limits and vehicle manufacturer's trailer / caravan weight limits must be observed.