



Tow-Trust Towbars

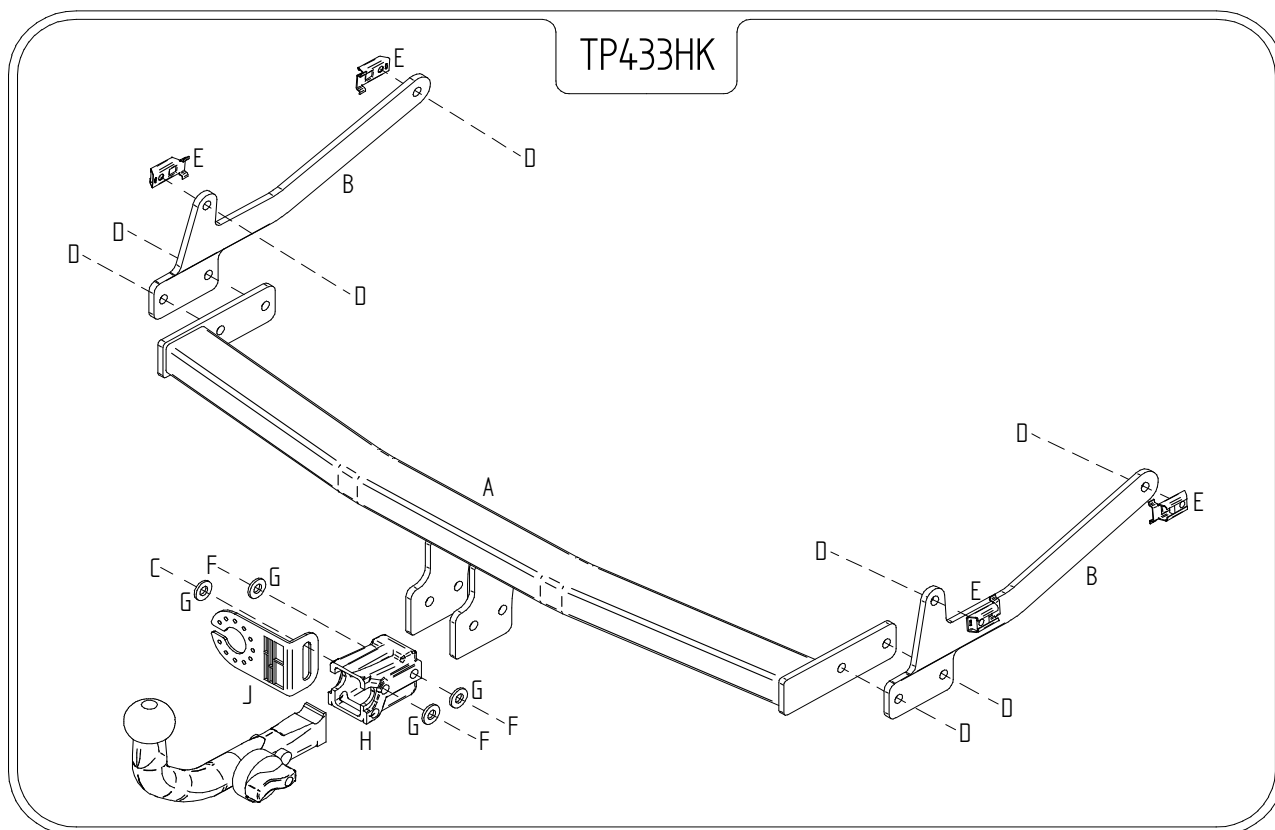
Important: Please read General Notes overleaf before fitting

Issue 1

TP433HK Peugeot 206 ESTATE/STATION WAGON 2002>

Item	Qty	Description	Item	Qty	Description
A	1	Crossmember	C	1	M12 x 25 Bolts & S/P Washers
B	2	Handed Side Arms	D	8	M10 x 35 Bolts 4 Nuts & 8 S/P Washers
			E	4	M10 Caged Nuts (Small)
			F	3	M12 x 22 Bolts & S/P Washers
			G	4	12 x 25 Flat Washers
			H	1	Detachable Housing
			J	1	Socket Plate

1. Locate Item E into the two existing holes in each chassis member.
2. Temporarily unfasten the two bumper tags on the lower edge of the bumper.
3. Using Item D loosely bolt Item B to the caged nuts in each chassis.
4. Using Item D loosely bolt Item A to Item B.
5. Using Item C with Item G and Item F with Item G bolt Items H and J to item A.
6. Push Item A up (Do not trap fog light wires) and tighten all nuts and bolts. Re fasten the two bumper tags.
7. Fully tighten all nuts and bolts and ensure the Towbar is rigid and secure.



Note: nose load limits and vehicle manufacturer's trailer / caravan weight limits must be observed.