



Tow-Trust Towbars

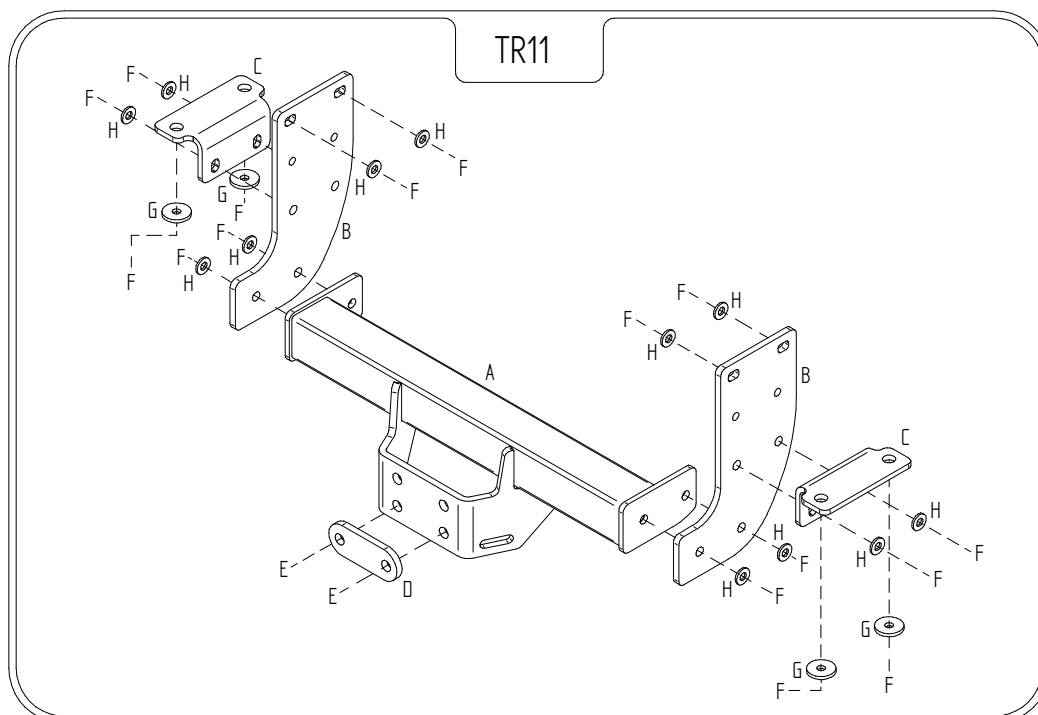
Important: Please read General Notes overleaf before fitting

Issue 1

TR11 RENAULT MASTER NISSAN NV400 VAUXHALL MOVANO CHASSIS CAB (TWIN REAR WHEEL)

Item	Qty	Description	Item	Qty	Description
A	1	Crossmember	E	2	M16 x 50 Bolts Nuts & S/P Washers
B	2	Side Arms	F	16	M12 x 40 Bolts, 6 Nyloc Nuts & 10 S/P Washers
C	2	Angle Side Arms	G	4	12 x 40 Flat Washers
D	1	Coupling Spacer	H	12	12 x 25 Flat Washers

1. Locate all Towbar mounting points and remove the existing fixings (4 from the L/H chassis member and 2 from the R/H chassis member). Clean all Towbar mounting faces on chassis members ensuring all faces are clean and grease free.
2. Using Item F and Item H loosely bolt Items B to each inside chassis member.
3. Using Item F and Item G bolt Items C to the lower face of each chassis member.
4. Using Item F and Item H bolt Items C to Items B.
5. Using Item F and Item H bolt Item A between items B.
6. Using Item E bolt your desired ball bracket (not supplied in this kit) to Item A using Item D behind the ball on the lower setting and behind the face plate on the top setting.
7. Fully tighten all fixings ensuring Towbar is rigid, square and secure.



Note:

1. Recommended Torque Setting for M12 Grade 10.9 -139 Nm. (For other Torque Settings see notes overleaf.)
2. Nose load limits and vehicle manufacturers trailer / caravan weight limits must be observed.