



# Tow-Trust Towbars

Important: Please read General Notes overleaf before fitting

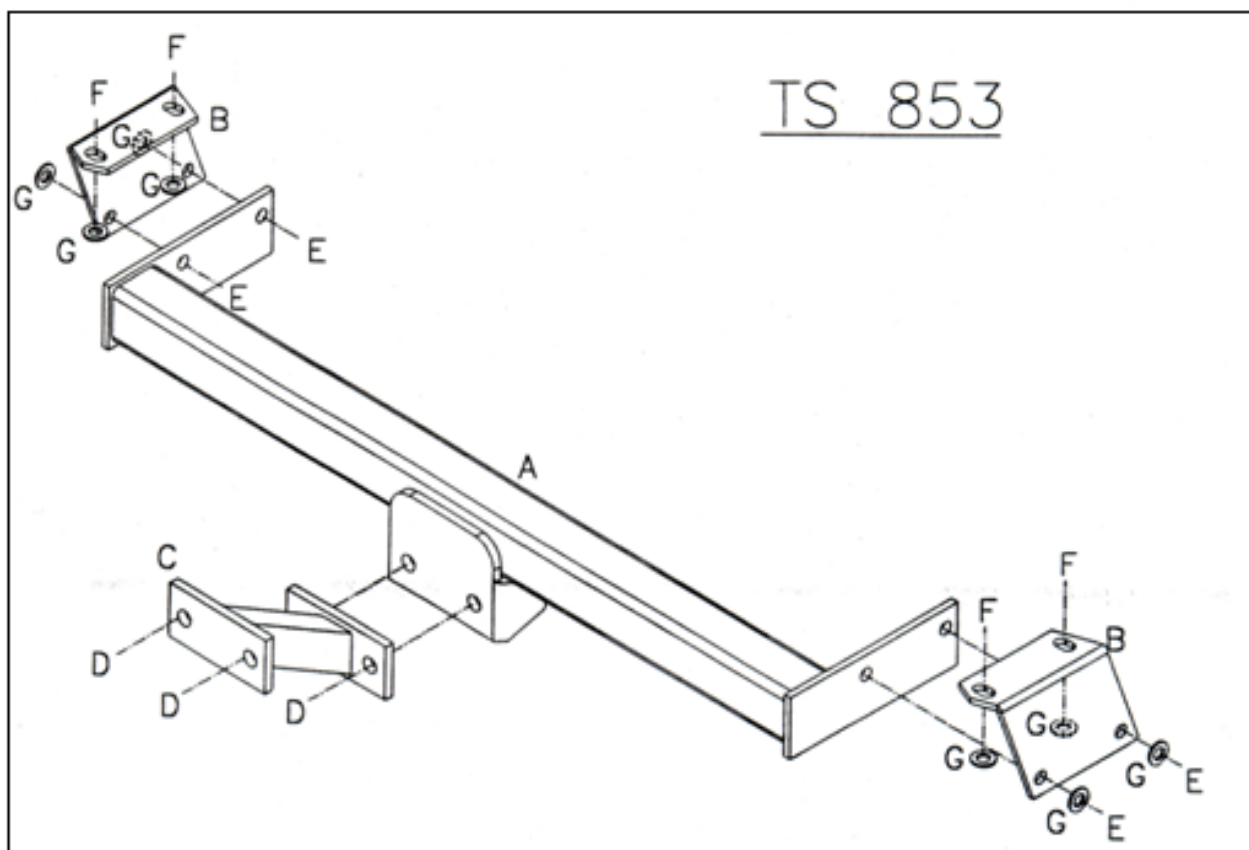
Issue 2

## Type TS853 Suzuki Grand Vitara 1998>

Item	Qty	Description	Item	Qty	Description
A	1	Crossmember	D	4	M16 x 50 Bolts Nuts & S/P Washers
B	2	Handed Side Arms	E	4	M12 x 30 Bolts, Nuts & S/P Washers
C	1	Extension Bar	F	4	M12 x 30 x 1.25 Bolts & S/P Washers only
			G	8	12 x 25 Flat Washers

1. Remove the towing eye from the chassis (if fitted).
2. Using item F with item G loosely bolt item B to the existing threaded holes in each chassis member.
3. Using item E with item G bolt item A to item B.
4. Using item D bolt item C to item A.
5. Using item D bolt the ball bracket and wiring plate (not supplied in this kit) to the mounting plate.
6. Fully tighten all nuts and bolts and ensure the towbar is rigid and secure.
7. Note; When not towing it is advisable to remove the extension to avoid obscuring the number plate.

**Note:** nose load limits and vehicle manufacturers trailer / caravan weight limits must be observed.



**Tow with Trust**