



Tow-Trust Towbars

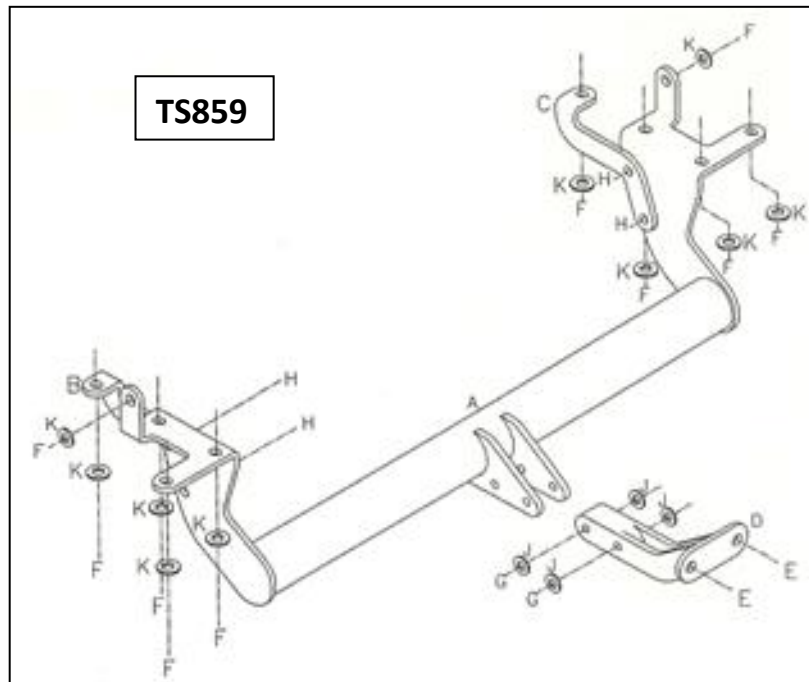
Important: Please read General Notes overleaf before fitting

Issue 7

TS859 Suzuki Grand Vitara 3 & 5 Door 2005>

Item	Qty	Description	Item	Qty	Description
A	1	Crossmember	E	2	M16 x 50 Bolts, Nuts & S/P Washers
B	1	Left Hand Side Arm	F	8	M12 x 40 x 1.25 Bolts & S/P Washers
C	1	Right Hand Side Arm	G	2	M12 x 85 Grade 10.9 Bolts & Nyloc Nuts
D	1	Extension Bar	H	4	M12 x 30 Bolts, Nuts & S/P Washers
			J	4	12 x 25 Flat Washers
			K	10	12 x 25 HD Flat Washers

1. Remove the towing eye. (This is not refitted with the towbar.) Remove exhaust rubber from near side and support.
2. Using Item F with Item K, loosely bolt Item A to the existing threaded holes in the bottom face of each chassis member. Note: Wiring harness may need to be unclipped from the side of the chassis to give clearance.
3. 3 Door Models Only – using Item F with Item K bolt Item A to the existing threaded hole in the side of each chassis member.
4. 5 Door Models Only – using Item H loosely bolt Item B and Item C to Item A. Using Item F bolt Item B and Item C to the existing holes in the bottom face of each chassis member.
5. Using Item G with Item J bolt Item D to Item A.
6. Using Item E, bolt the ball bracket and wiring plate (not supplied in this kit) to the mounting plate.
7. Fully tighten all nuts and bolts and ensure the towbar is rigid and secure.
8. Refit exhaust rubber.



Note:

1. Recommended Torque Setting for M12 Grade 10.9 -139 Nm. (For other Torque Settings see notes overleaf.)
2. Nose load limits and vehicle manufacturer's trailer / caravan weight limits must be observed.