



Tow-Trust Towbars

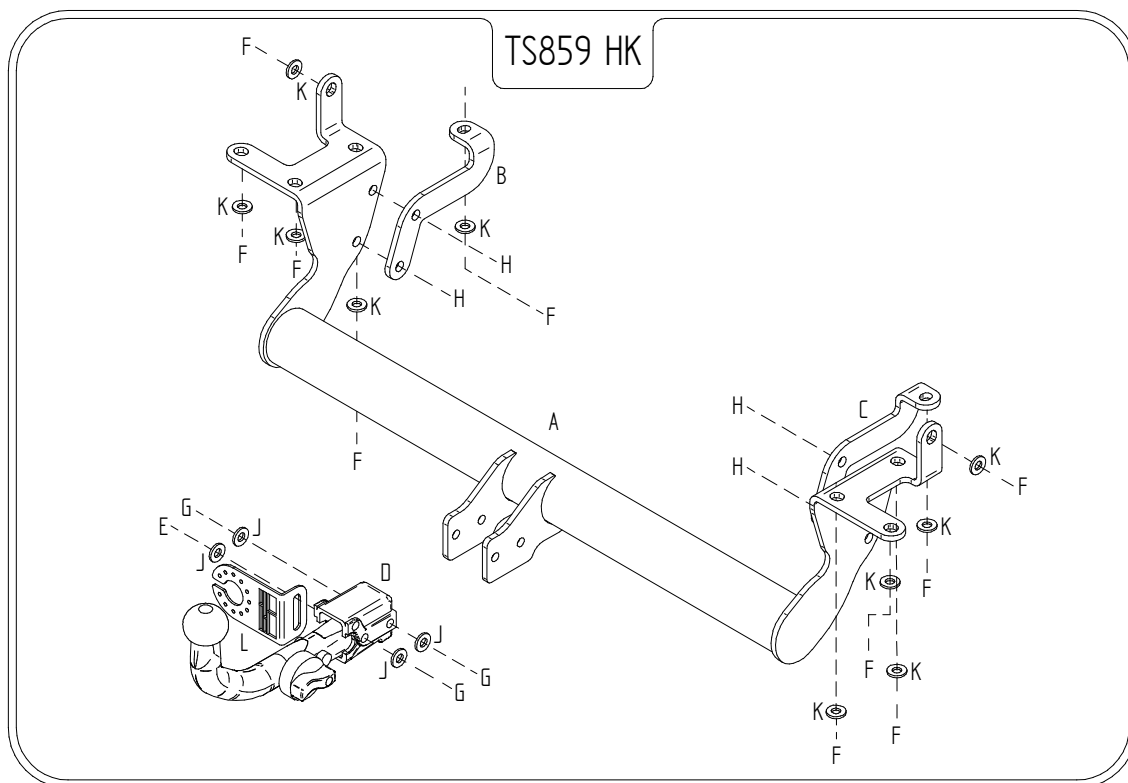
Important: Please read General Notes overleaf before fitting

Issue 1

TS859HK Suzuki Grand Vitara 3 & 5 Door 2005>

Item	Qty	Description	Item	Qty	Description
A	1	Crossmember	E	1	M12 x 25 Bolt & S/P Washer
B	1	L/H Side Arm	F	10	M12 x 40 x 1.25 Bolts & S/P Washers
C	1	R/H Side Arm	G	3	M12 x 22 Bolts & S/P Washers
D	1	Detachable Housing	H	4	M12 x 30 Bolts, Nuts & S/P Washers
			J	4	12 x 25 Flat Washers
			K	10	12 x 25 HD Flat Washers
			L	1	Angle Socket Plate

1. Remove the towing eye. (This is not refitted with the Towbar.) Remove exhaust rubber from nearside and support.
2. Using Item F with Item K loosely bolt Item A to the existing threaded holes in the bottom face of each chassis member. Note: Wiring harness may need to be unclipped from the side of the chassis to give clearance.
3. **3 Door Models only** - using Item F with Item K bolt Item A to the existing threaded hole in the side of each chassis member.
4. **5 Door Models** - only using Item H loosely bolt Item B and Item C to Item A. Using Item F bolt Item B and Item C to the existing holes in the bottom face of each chassis member.
5. Using Item G with Item J and Item E with Item J bolt Item D and Item L to Item A.
6. Fully tighten all nuts and bolts and ensure the Towbar is rigid and secure.
7. Refit exhaust rubber.



Note:

1. Recommended Torque Setting for M12 Grade 10.9 -139 Nm. (For other Torque Settings see notes overleaf.)
2. Nose load limits and vehicle manufacturer's trailer / caravan weight limits must be observed.