



Tow-Trust Towbars

Important: Please read General Notes overleaf before fitting

Issue 2

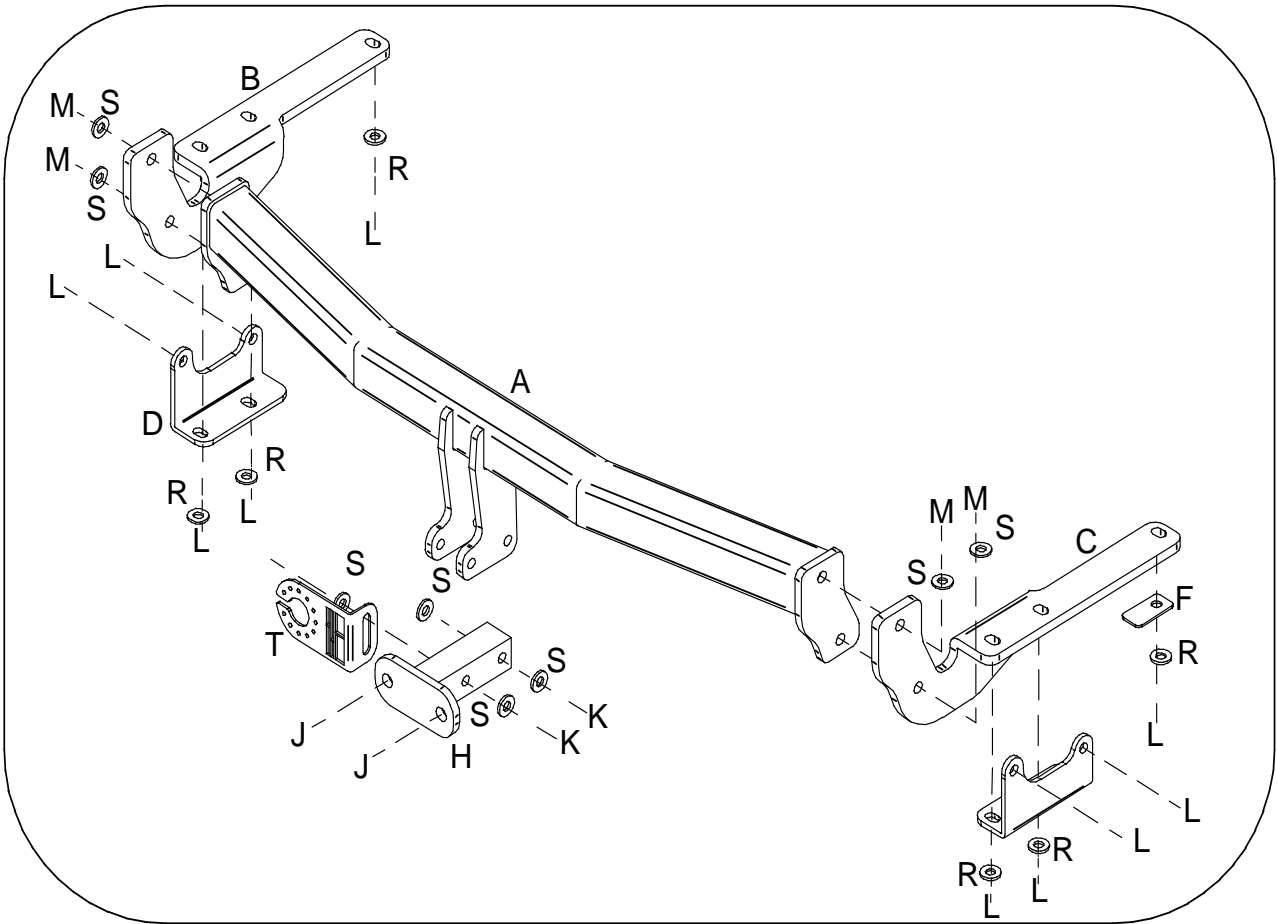
TT1 Lexus Rx 300/Rx400 (Underslung Spare Wheel Models Only) 2003>

Item	Qty	Description	Item	Qty	Description
A	1	Crossmember	J	2	M16 x 50 Bolts Nuts & S/P Washers
B	1	L/H Side Arm	K	2	M12 x 85 Grade 10.9 Bolts & Nyloc Nuts
C	1	R/H Side Arm	L	10	M10 x 40 x 1.25 Bolts & S/P Washers
D	1	L/H Bracket	M	4	M12 x 45 Bolts, 2 Nuts & 4 S/P Washers
E	1	R/H Bracket	N	2	M 8 x 50 Bolts, Nuts & S/P Washers
F	1	Clamp Plate	P	2	8 x 25 Flat washers
G	2	15 x 22 Spacers	R	6	10 x 25 Flat Washers
H	1	Extension Bar	S	8	12 x 25 Flat washers
			T	1	Socket Plate

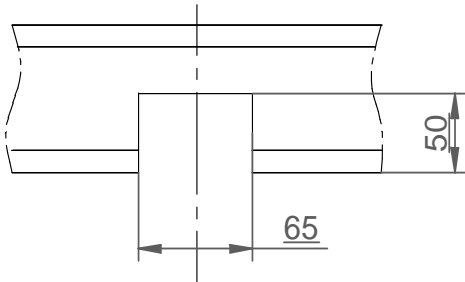
1. Remove rear bumper. Remove rear boot trim to gain access to bumper fixings along rear panel, one tip fixing each side, and fixings along lower edge.
2. Remove nearside and offside under trays. Note: Offside tray is not always fitted. Fixings around bumper edge and fixings into vehicle floor.
3. Temporarily remove electrical unit from offside corner.
4. Remove bumper beam and towing eyes. (This is not refitted with the towbar.)
5. Remove original bolts from rearmost exhaust bracket, refit using Item **N**, Item **P** and Item **G**.
6. Using Item **L** with Item **R** loosely bolt Items **B**, **C**, **D** and **E** to each chassis member into existing threaded holes. Note: at this point do not fit Item **F** with Item **J** into the forward most existing holes on the offside.
7. Using Item **L** loosely bolt Item **D** and Item **E** into the existing holes in the side face of each chassis.
8. Using Item **M** with Item **S** loosely bolt Item **A** to Item **B** and Item **C**.
9. Fully tighten all fixings and ensure the towbar is rigid and secure.
10. Cut a section centrally from the lower edge of the bumper 65mm wide x 50mm deep. If required trim to suit. **(Some models don't require a cut so try the bumper first before cutting).**
11. Cut out sections of each undertray. (See sketch)
12. Refit bumper, electrical unit and under trays.
13. Using Item **J** with Item **F** refit offside undertray (If fitted) to the forward existing hole in the chassis.
14. Using Item **K** with Item **S** bolt Item **H** and Item **T** to Item **A**.
15. Using Item **J** bolt the ball bracket and wiring plate (not supplied in this kit) to the mounting plate.

Note:

1. Recommended Torque Setting for M12 Grade 10.9 -139 Nm. (For other Torque Settings see notes overleaf.)
2. Nose load limits and vehicle manufacturer's trailer / caravan weight limits must be observed.



LOWER BUMPER CUTOUT



UNDERTRAY CUTOUTS (SOME MODELS ONLY)

