



Tow-Trust Towbars

Important: Please read General Notes overleaf before fitting

Issue 1

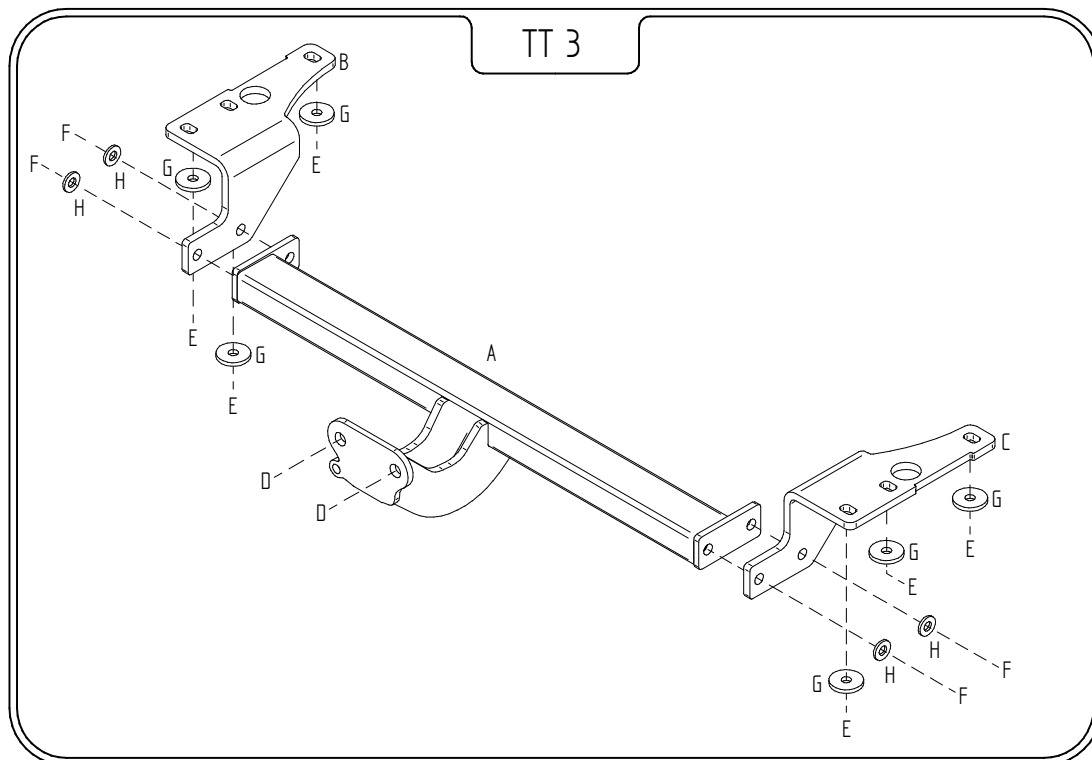
TT 3 TOYOTA AURIS 2007>

| Item | Qty | Description | Item | Qty | Description |
|------|-----|---------------------|------|-----|--|
| A | 1 | Crossmember | D | 2 | M16 x 50 Bolts, Nuts & S/P Washers |
| B | 1 | Left Side Arms | E | 6 | M12 x 35 x 1.25 Bolts & S/P Washers |
| C | 1 | Right Hand Side Arm | F | 4 | M12 x 40 Bolts, 2 Nuts & 4 S/P Washers |
| | | | G | 6 | 12 x 40 Flat Washers |
| | | | H | 4 | 12 x 25 Flat Washers |

T-SPIRIT MODEL ONLY: Remove the under tray (This is not refitted with Towbar assembly), on the inner edge remove the five fixings and on the outer edge remove five fixings.

ALL MODELS:

1. Remove the Towing eye from the nearside chassis member.
2. Locate Towbar mounting points on the lower face of each chassis member and clear from any mastic.
3. Using item E with item G bolt item B and C to each correct chassis member.
4. Using item F with item H bolt item A to each side arm.
5. Using item D bolt the ball bracket and wiring plate (not supplied in this kit) to item A.
6. Fully tighten all nuts and bolts ensuring Towbar is rigid and secure.



Note:

1. Recommended Torque Setting for M12 Grade 10.9 -139 Nm. (For other Torque Settings see notes overleaf.)
2. Nose load limits and vehicle manufacturer's trailer / caravan weight limits must be observed.