



Tow-Trust Towbars

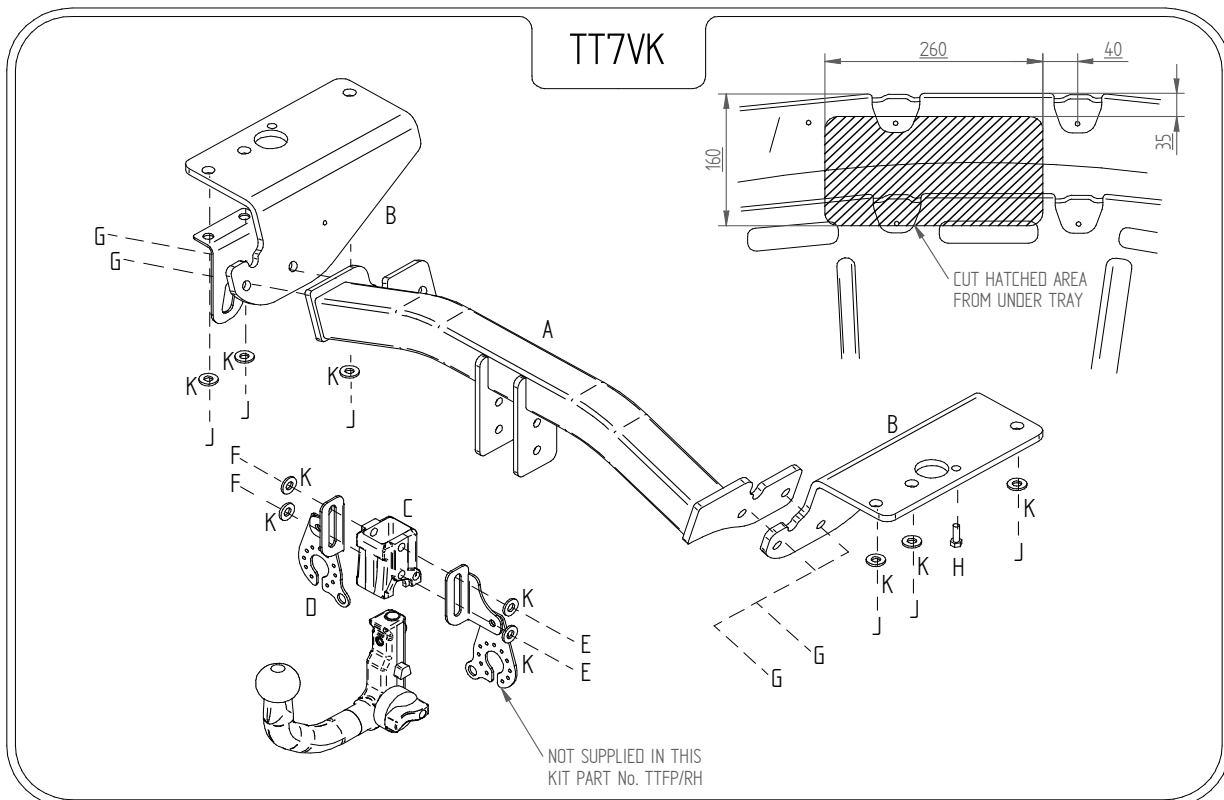
Important: Please read General Notes overleaf before fitting

Issue 1

TT7VK TOYOTA AVENTIS SALOON 2009>

Item	Qty	Description	Item	Qty	Description
A	1	Crossmember	D	1	Flip Up Socket Plate
B	2	Handed Side Arms	E	2	M12 x 22 Bolts & S/P Washers
C	1	Detachable Housing	F	2	M12 x 25 Bolts & S/P Washers
			G	4	M12 x 35 Bolts, Nuts & S/P Washers
			H	1	6 x 30 Bolt and Flat Washers
			J	6	M12 x 50 x 1.25 Bolts & S/P Washers
			K	10	12 x 25 Flat Washers
			L	1	6mm Ally Rivet

1. Remove the lower rear under tray and Towing eye.
2. Remove heat shield. (**NOTE:** you may find it easier to access Towbar mounting points if you lower the rear silencer **PETROL MODELS ONLY**).
3. Locate Towbar mounting points on the lower face of each chassis member and clear off any mastic.
4. Using items **J** with item **K** loosely bolt items **B** to each correct chassis (**NOTE** on the nearside refit Towing eye onto side arm **B** to original mounting point)(**NOTE:YOU MAY FIND FITTING ITEM A EASIER IF YOU LEAVE R/H SIDE ARM OFF GET ITEM A INTO PLACE THEN FIT SIDE ARM (ITEM B).**
5. Using items **G** bolt item **A** to side arms (item **B**).
6. Using item **E** with item **K** and item **F** with item **K** bolt item **C** and item **D** to item **A**.
7. Fully tighten all nuts and bolts ensuring Towbar is rigid and secure.
8. Refit heat shield using longer bolt provided (item **H**) (if necessary rivet heat shield to the hole provided in item **B**).
9. Cut under tray as shown (SEE SKETCH) and refit.



Note:

1. Recommended Torque Setting for M12 Grade 10.9 -139 Nm. (For other Torque Settings see notes overleaf.)
2. Nose load limits and vehicle manufacturer's trailer / caravan weight limits must be observed.