



Tow-Trust Towbars

Important: Please read General Notes overleaf before fitting

Issue 1

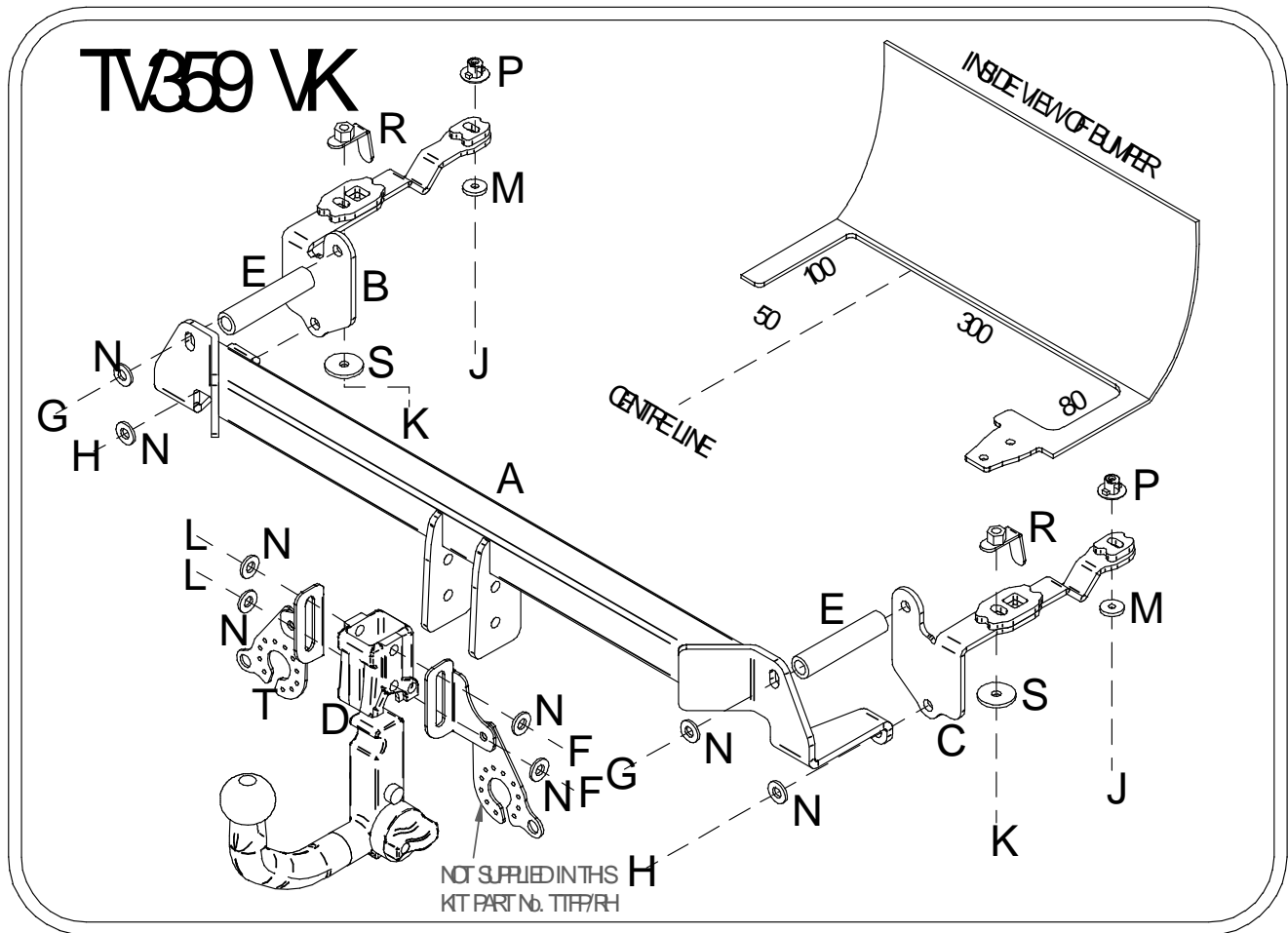
TV359 VK VAUXHALL ZAFIRA 2005>

Item	Qty	Description	Item	Qty	Description
A	1	Cossmember	F	2	M12 x 22 Bolts & Washers
B	1	L/H Side Arm	G	2	M12 x 160 Bolts, Nuts & Washer
C	1	R/H Side Arm	H	2	M12 x 35 Bolts Nuts & Washers
D	1	Detachable Housing	J	2	M8 x 35 Bolts & Washers
E	2	25 x 115 Spacer Bushes	K	2	M10 x 40 Bolts & Washers
			L	4	M12 x 25 Bolts & Washers
			M	4	8 x 25 HD Flat Washers
			N	8	12 x 25 Flat Washers
			P	2	M8 Plastic Caged Nuts
			R	2	M10 Captive Clamp Plates
			S	2	10 x 40 Flat Washers
			T	1	Flip Down Socket Plate

1. Remove the rear bumper, two fixings along the lower edge and two fixings in each wheel arch. Cut bumper as shown in sketch.
2. Temporarily remove the crash beam and foam packing.
3. Locate the two dimples on the rear panel at 852mm centres and drill out to 25mm.
4. Locate item **P** into the forward mounting point in each chassis.
5. Using item **J** with item **M** loosely bolt item **B** and item **C** to the underside of each chassis member.
6. Locate item **R** through the square hole provided and over the existing round hole and fix in place with item **K** and item **S**.
7. Using item **G** with item **N** and item **E** located through the 25mm hole loosely bolt item **A** through the rear panel and to the side arms.
8. Using item **H** with item **N** bolt item **A** to the remaining lower mounting point throw the rear panel.
9. Using item **F** and item **N** with item **L** and item **N** bolt item **D** with item **T** to item **A**.
10. Fully tighten all nuts and bolts and ensure Towbar is rigid and secure.
11. Refit the crash beam, foam packing and bumper.

Note:

1. Recommended Torque Setting for M12 Grade 10.9 -139 Nm. (For other Torque Settings see notes overleaf.)
2. Nose load limits and vehicle manufacturers trailer / caravan weight limits must be observed.



Item	Qty	Description	Item	Qty	Description
A	1	Cossmember	F	2	M12 x 22 Bolts & Washers
B	1	L/H Side Arm	G	2	M12 x 160 Bolts, Nuts & Washer
C	1	R/H Side Arm	H	2	M12 x 35 Bolts Nuts & Washers
D	1	Detachable Housing	J	2	M8 x 35 Bolts & Washers
E	2	25 x 115 Spacer Bushes	K	2	M10 x 40 Bolts & Washers
			L	4	M12 x 25 Bolts & Washers
			M	4	8 x 25 HD Flat Washers
			N	8	12 x 25 Flat Washers
			P	2	M8 Plastic Caged Nuts
			R	2	M10 Captive Clamp Plates
			S	2	10 x 40 Flat Washers
			T	1	Flip Down Socket Plate