



# Tow-Trust Towbars

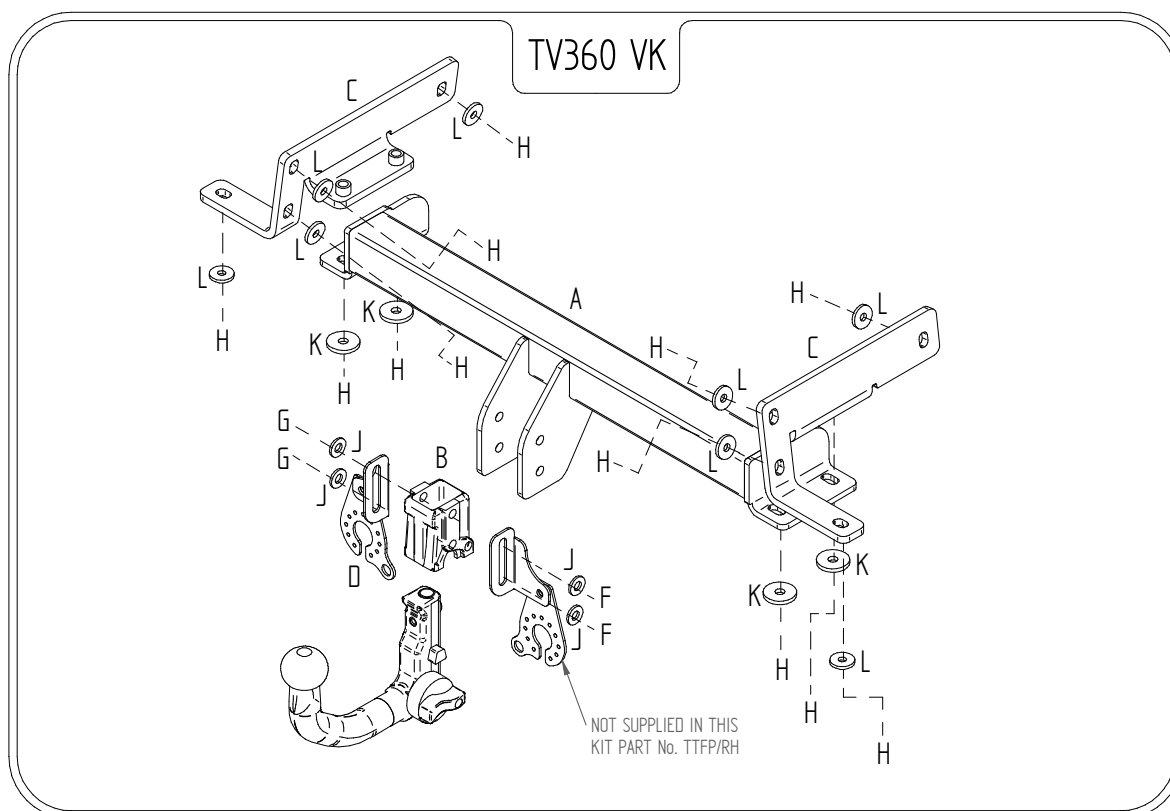
Important: Please read General Notes overleaf before fitting

Issue 3

## TV360VK VAUXHALL ANTARA 2007>

Item	Qty	Description	Item	Qty	Description
A	1	Crossmember	F	2	M12 x 22 Bolt & S/P Washers
B	1	Detachable Housing	G	2	M12 x 25 Bolts & S/P Washers
C	2	Handed Side Arms	H	12	M12 x 40 Bolts & S/P Washers
D	1	Flip Up Socket Plate	J	4	12 x 25 Flat Washers
			K	4	12 x 40 Flat Washers
			L	8	12 x 30 Flat Washers

1. Remove the Towing eye from the left hand chassis member (This is not refitted with the Towbar assembly)
2. Locate all Towbar mounting points and clear off any mastic / under seal. (If necessary tap out to clean threads)
3. Using item **H** with item **L** loosely bolt items **C** to all mounting points on each correct chassis member.
4. Using item **H** with item **K** bolt item **A** to the underside of each side arm (items **C**).
5. Using item **G** with item **J** and item **F** with item **J** bolt item **D** and item **B** to item **A**.
6. Fully tighten all nuts and bolts ensuring Towbar is rigid and secure.



**Note:**

1. Recommended Torque Setting for M12 Grade 10.9 -139 Nm. (For other Torque Settings see notes overleaf.)
2. Nose load limits and vehicle manufacturer's trailer / caravan weight limits must be observed.