



Tow-Trust Towbars

Important: Please read General Notes overleaf before fitting

Issue 6

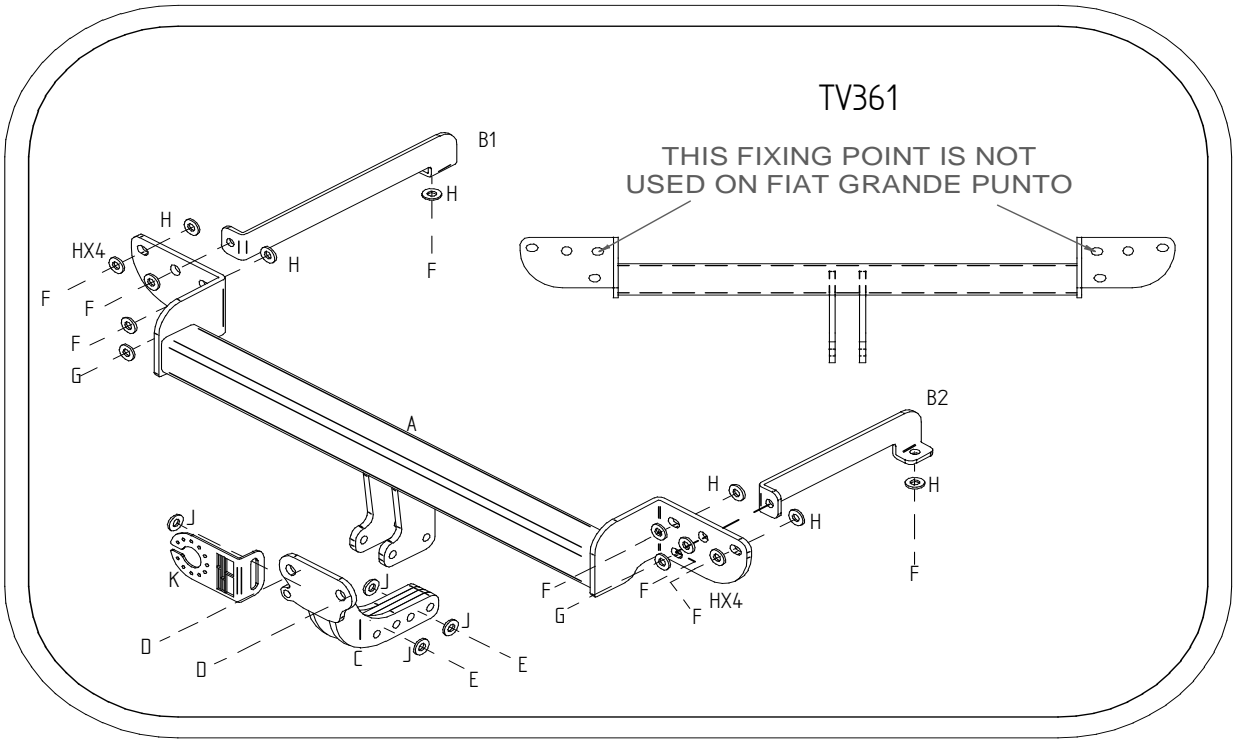
TV361 VAUXHALL CORSA 2006>
FIAT GRANDE PUNTO 2006>
ALFA ROMEO MiTo 2008>

Item	Qty	Description	Item	Qty	Description
A	1	Crossmember	D	2	M16 x 40 Bolts, Nuts & S/P Washers
B	2	Handed Side Arms	E	2	M12 x 85 Grade 10.9 Bolts & Nyloc Nuts
C	1	Extension Bar	F	8	M10 x 35 Bolts, 4 Nuts & 8 S/P Washers
			G	2	M10 Nuts & S/P Washers
			H	14	10 x 30 Flat Washers
			J	4	12 x 25 Flat Washers
			K	1	Socket Plate

1. Remove the rear bumper, two fixings along lower edge, two fixings around each wheel arch and two fixings behind number plate. Pull bumper out at each tip and from clips along top edge.
2. Remove both light clusters, two fixings at back of light clusters inside boot.
3. Remove bumper beam. Note: This is not refitted with the towbar.
4. Locate Item **B** into the open ends of each chassis and loosely bolt using Item **F** with Item **H**.
5. Using Item **G** with Item **H** loosely bolt Item **A** to existing studs on the rear panel.
6. Using Item **F** with Item **H** bolt Item **A** to Item **B**.
7. Using Item **F** with Item **H** bolt Item **A** through rear panel.
8. Fully tighten all nuts and bolts and ensure the towbar is rigid and secure.
9. Cut bumper centrally CORSA 65mm wide x 45mm deep GRANDE PUNTO & MiTo 65mm wide x 95mm deep Re-fit rear bumper.
10. Using Item **E** with Item **J** bolt Item **C** and Item **K** to Item **A**.
11. Using item **D** bolt the ball bracket (not supplied in this kit) to the mounting plate.

Note:

1. Recommended Torque Setting for M12 Grade 10.9 -139 Nm. (For other Torque Settings see notes overleaf.)
2. Nose load limits and vehicle manufacturers trailer / caravan weight limits must be observed.



FIAT PUNTO EVO WILL REQUIRE A SMALL 10mm X 10mm CUT TO THE TOP OF THE CHASSIS APETURE

