



Tow-Trust Towbars

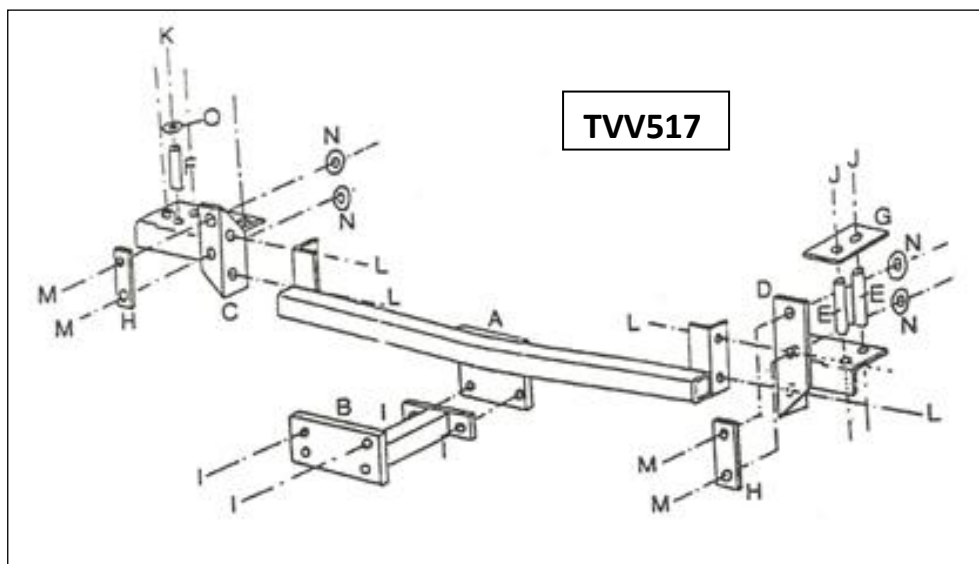
Important: Please read General Notes overleaf before fitting

Issue 1

TVV 517 Volvo 850 Saloon & Estate 1992 – 1997 S70 & V70 1997 - 1998

Item	Qty	Description	Item	Qty	Description
A	1	Crossmember	I	4	M16 x 50 Bolts, Nuts & S/P Washers
B	1	Extension Bar	J	2	M12 x 120 Bolts, Nuts & S/P Washers
C	1	L/H Side Arm	K	1	M12 x 110 Bolts, Nuts & S/P Washers
D	1	R/H Side Arm	L	4	M12 x 30 Bolts, Nuts & S/P Washers
E	2	85mm Spacer Tubes	M	4	M10 x 25 Bolts & S/P Washers only
F	1	82mm Spacer Tubes	N	4	10 x 30 Flat Washers
G	1	Clamp Plate	O	1	12 x 40 Flat Washers
H	2	Clamp Plates (threaded)	P	2	Bolt Caps
			R	1	12 x 25 Flat Washers

1. Remove the towing eye and the exhaust hanger.
2. Place item **H** inside the chassis and using item **M** with item **N** under the heads, loosely bolt item **C** and item **D**. The left hand side arm is bolted to the chassis using the original bolt.
3. Locate and remove the grommets on the left hand side inside the boot. Place item **F** down inside the chassis and using item **K** with item **O** under the bolt head; loosely bolt item **C** into place. (At this stage re-bolt the exhaust hanger to item C).
4. Using the forward hole in item **D** as a jig, drill a 13mm hole up into the boot, open the top hole only to 20mm. Remove the grommets from the rear hole. Place item **E** inside the chassis with item **G** placed over the two holes inside the boot. Using item **J** bolt the side arm into place (Note: on the early models use the existing bolts if captive nuts are in place.)
5. Using item **L**, bolt item **A** to item **C** and item **D**.
6. Using item **I** bolt item **B** to item **A**.
7. Using item **I** bolt the ball bracket and wiring plate (not supplied in this kit) to the mounting plate.
8. Fully tighten all nuts and bolts and ensure the towbar is rigid and secure.



Note:

1. Recommended Torque Setting for M12 Grade 10.9 -139 Nm. (For other Torque Settings see notes overleaf.)
2. Nose load limits and vehicle manufacturer's trailer / caravan weight limits must be observed.