



Tow-Trust Towbars

Important: Please read General Notes overleaf before fitting

Issue 1

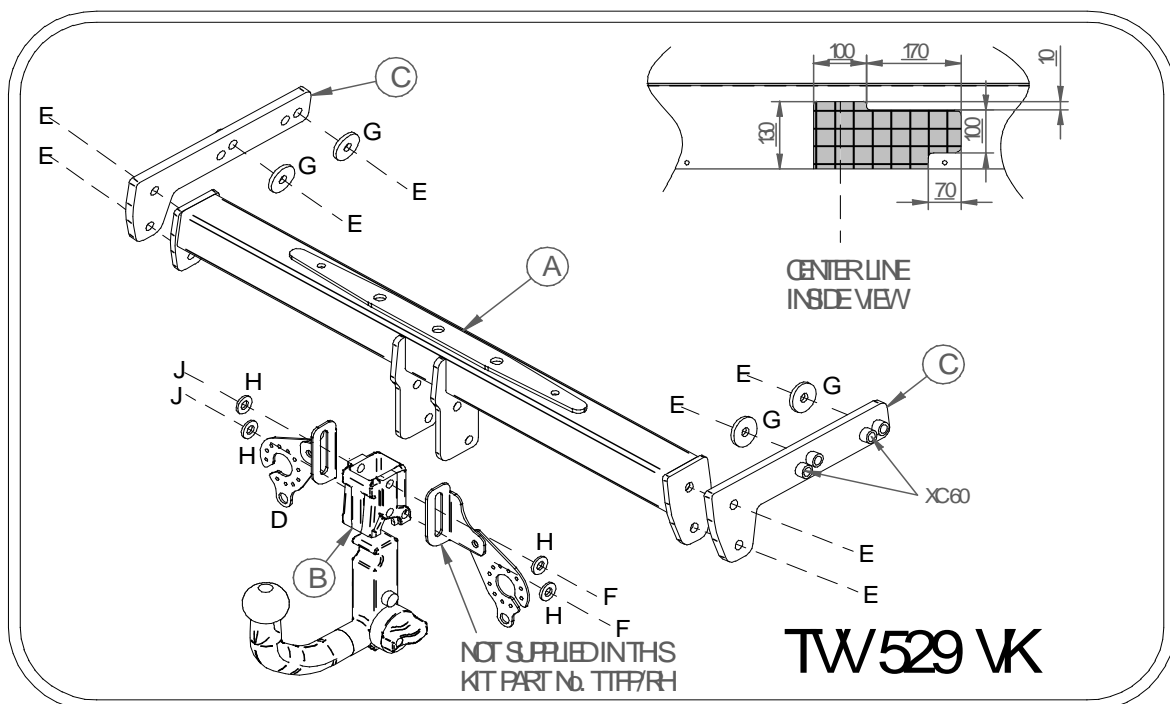
TVV529 VK VOLVO XC60 2008> XC70 2007>

Item	Qty	Description	Item	Qty	Description
A	1	Crossmember	D	1	Flip Down Socket Plate
B	1	Detachable Housing	E	8	M12 x 40 Bolts, 2 Nuts & Washers
C	1	Handed Side Arms	F	2	M12 x 22 Bolts And Washers
			G	4	12 x 40 Flat Washers
			H	4	12 x 25 Flat Washers
			J	2	M12 x 25 Bolts And Washers

1. Remove the rear bumper, two fixings on the bottom edge, five fixing in each wheel arch and one fixing either side of boot opening, unclip the corners and pull rearwards.
2. Cut a section from the lower edge of the bumper. SEE SKETCH. If required trim to suit.
3. Remove the crash beam; this is not refitted with Towbar assembly.
4. Lower exhaust and support to prevent damage. (On the XC60 remove the heat shield to gain access to the Towbar mounting points).
5. Remove the tape from Towbar mounting points found on the inside face of each chassis member.
6. Insert items **C** into each chassis member and loosely fix in place using item **E** with item **G**.
7. Using item **E** fix item **A** between items **C**.
8. Using item **F** with item **H** and item **J** with item **H** fit item **B** with item **D** to item **A**.
9. We advise that you install your desired wiring into the vehicle now before refitting the bumper.
10. Fully tighten all nuts and bolts and ensure Towbar is rigid and secure.
11. Refit exhaust, heat shield and bumper.

Note:

1. Recommended Torque Setting for M12 Grade 10.9 -139 Nm. (For other Torque Settings see notes overleaf.)
2. Nose load limits and vehicle manufacturer's trailer / caravan weight limits must be observed.



Tow with Trust