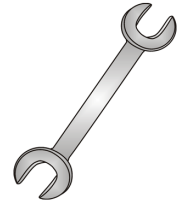




Tow-Trust Towbars

Important: Please read General Notes overleaf before fitting



Issue 1

TVW4VK VOLKSWAGEN SHARAN & SEAT ALHAMBRA 2011>

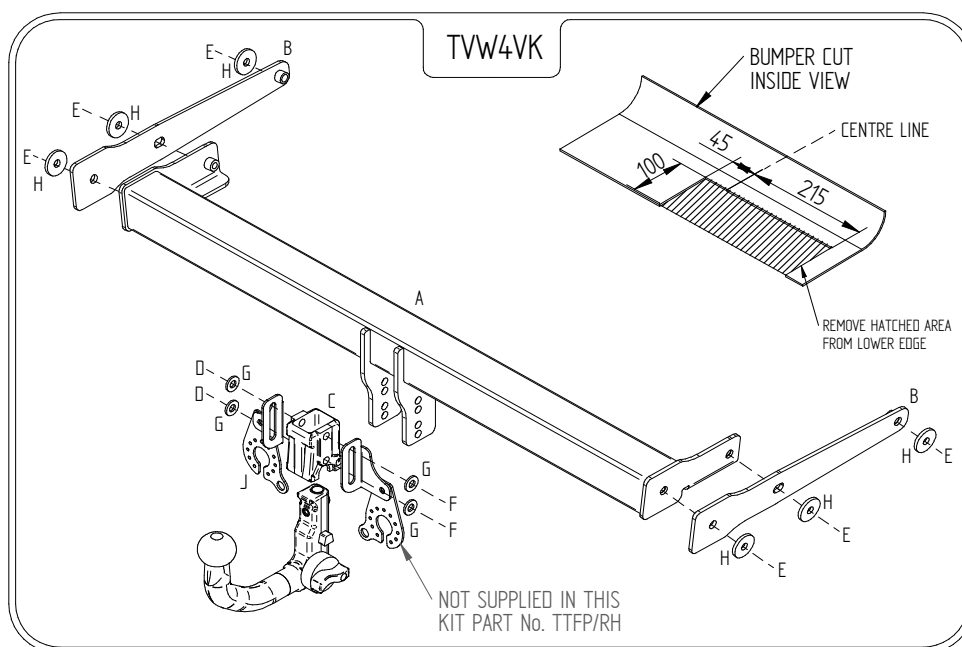
| Item | Qty | Description | Item | Qty | Description |
|------|-----|--------------------|------|-----|------------------------------|
| A | 1 | Crossmember | D | 2 | M12 x 25 Bolts & S/P Washers |
| B | 2 | Side Arms | E | 6 | M12 x 40 Bolts & S/P Washers |
| C | 1 | Detachable Housing | F | 2 | M12 x 22 Bolts & S/P Washers |
| | | | G | 4 | 12 x 25 Flat Washers |
| | | | H | 6 | 12 x 40 Flat Washers |
| | | | J | 1 | Flip Up Socket Plate |

BUMPER REMOVAL:

1. Remove rear light clusters, one fixing inside boot behind each cluster, this will reveal two fixings under each cluster, locate and remove. Remove four fixings around each wheel arch and one fixing on lower edge by lower wheel arch. Disconnect wiring loom if fitted.

TOWBAR INSTALLATION:

1. Remove the rear bumper impact beam (this is not refitted with Towbar assembly) and refit the fixings into rear panel to prevent water ingress.
2. Remove the two fixings securing the screen wash container and lower 20mm to reveal N/S mounting points. (Support to prevent damage).
3. Insert Items B into each chassis member and using Item E with Item H loosely bolt in place at forward mounting points only.
4. Insert Item A between each side arm (Item B) and into each chassis member and bolt in place with the remaining Items E and Items H.
5. Using Item F with Item G and Item D with Item G bolt Item C and Item J to Item A.
6. At this stage fully tighten all nuts and bolts ensuring Towbar is rigid, square and secure.
7. Refit screen wash container, cut rear bumper to dimensions illustrated and refit.



Note:

1. Recommended Torque Setting for M12 Grade 10.9 -139 Nm. (For other Torque Settings see notes overleaf.)
2. Nose load limits and vehicle manufacturers trailer / caravan weight limits must be observed.